



## Installation Guide

### WZ20-NXV550-0

#### Important

Please read this document carefully before installation and initial use. Keep for future reference.

- An unregulated power supply can cause damage to the camera. The use of an unregulated power supply with this camera will void the product warranty.
- Do not attempt to disassemble the camera to gain access to the internal components. Refer servicing to Extreme CCTV.
- It is recommended that the camera be used with a monitor that has a CCTV quality 75Ω video impedance level. If your monitor is switched to a high impedance level, then please adjust accordingly.
- Never direct the camera towards the sun or any bright or reflective light. Doing so may cause smearing on the picture and possible damage to the CCD

#### Precautions

- Do not open or modify
- Do not put objects inside the unit. Make sure that no metal objects or flammable substances enter the camera. This may cause fire, short-circuits and other damages.
- Be careful when handling the unit. To prevent damage, do not drop the camera or subject it to strong shock or vibration.
- Install the camera away from electric or magnetic fields.
- Protect the camera from humidity and dust.
- Do not subject the unit to high temperature. Be careful when installing close to ceilings, in a kitchen or a boiler room as heat rises and will affect the camera.
- Dirt can be removed from the camera by wiping it with a clean soft moistened cloth and soft detergent solution.
- The mounting surface material must be strong enough to secure the camera.

#### Troubleshooting

Before sending the camera for repair, check the list below. If the problem still persists, contact Extreme CCTV.

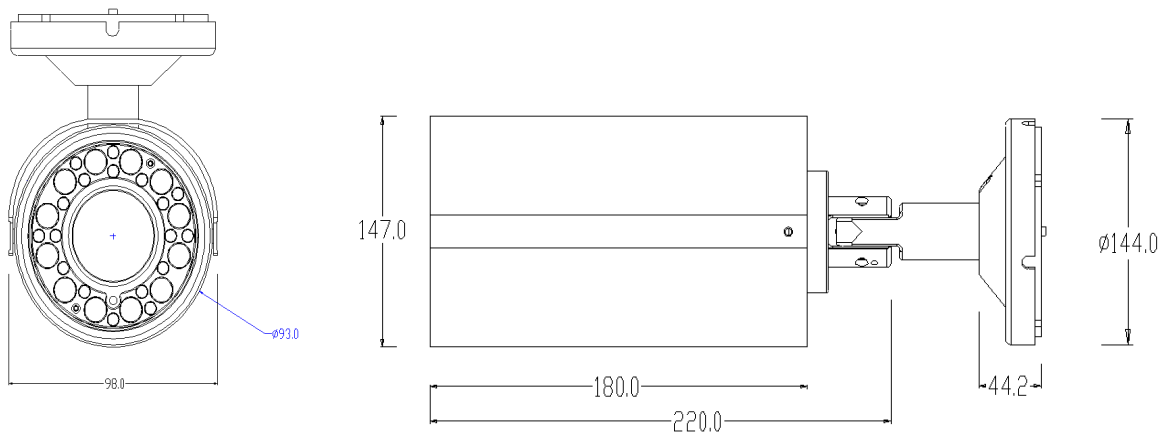
If no image appears

- Is the coaxial cable firmly attached?
- Is power and voltage at a normal level?
- Is there adequate illumination?

If the image is unclear

- Is the lens in focus?
- Is the lens dirty?
- Is the monitor correctly adjusted?

#### Installation

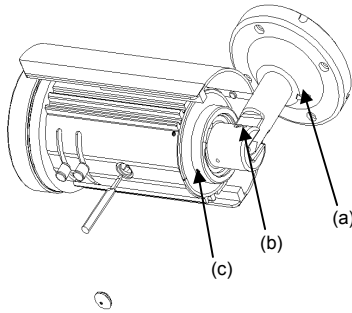




**Installation (cont'd)**

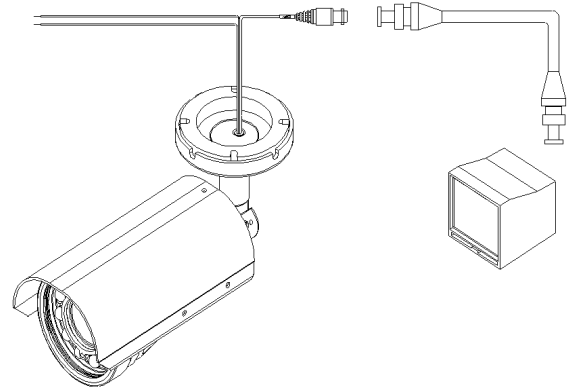
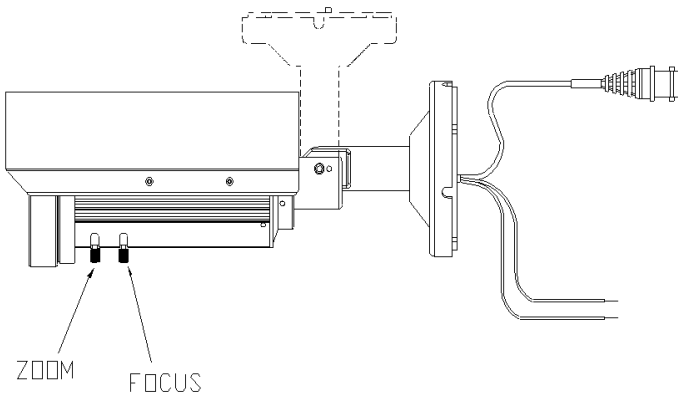
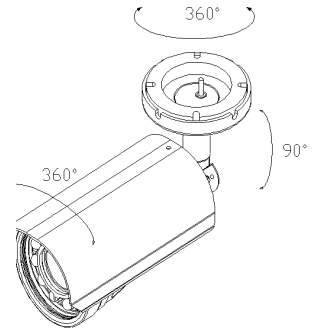
**Lens Adjustments**

- Remove cap
- Adjust the iris level.
- Re-attach cap



**Camera Positioning**

- Use provided alan key from box to make adjustments
- Locate and loosen all 3 setscrews on bracket
- Setscrews are shown at (a), (b) and (c) - picture on the left
- Pan (a), Tilt (b) and Rotate (c)
- Do not pan or twist beyond 360° as shown
- Do not tilt beyond 90° as shown
- Do not apply excessive force when adjusting camera positioning



This device complies with Part 15 of the FCC Rules. Operation is subject to the following two conditions.

1. This device may not cause harmful interference.
2. This device must accept any interference received, including interference that may cause undesired operation

NOTE: This equipment has been tested and found to comply with limits for a Class B digital device, pursuant to part 15 of the FCC Rules. These limits are designed to provide reasonable protection against harmful interference in a residential installation. This equipment generates, uses and can radiate radio communications. However, there is no guarantee that interference will not occur in a particular installation. If the camera turns on and off, try to correct the interference using one or more of the following:

- Reorient or relocate the receiving antenna
- Increase the separation between the equipment and receiver
- Connect the equipment into an outlet on a circuit different from that to which the receiver is connected
- Consult Extreme CCTV for technical support.

**Camera Specifications**

Part Number	WZ20-NXV550-0
Signal Processing	Digital signal processing (DSP)
CCD Camera	1/3" LXR CCD with Mechanical Filter
Filter	Dual-window mechanical type
Resolution	High resolution 550 TVL
Effective Pixels (NTSC)	811 (H) x 508 (V)
Effective Pixels (PAL)	795 (H) x 596 (V)
Night-Time Sensitivity	0 Lux (infrared on)
Day-Night Switching	Photocell-controlled, automatic
Electronic Iris (NTSC)	1/60 ~ 1/100,000s
Electronic Iris (PAL)	1/50 ~ 1/100,000s
Output Signal	1V P-P composite video, 75 Ohms
S/N Ratio	Greater than 48dB
Gamma	0.45
Lens	IR-corrected, varifocal 5-50mm
Iris	DC auto-iris
Iris Control	Externally adjustable auto-iris
Lens Control	Externally adjustable zoom, focus
LEDs	Even-distribution infrared array
LED control	Photocell
Wavelength	850nm
Number of LEDs	30
Voltage	12 VDC or 24 VAC
Power Draw	8W max (infrared on)
Construction	Robust aluminum extrusion
Finish	Anodized silver
Operational Temp.	-10°C to 55°C (+14°F to +131°F)
Sunshield	Included as standard
Power Supply	Not included
Weight	1.7kg (3.8lbs)
Dimensions	Φ 98mm x 292mm (L)
Environmental	Designed to IP66

Subject to change without notice

**Contact Information**

**Extreme CCTV Inc.**

**Canada**  
3021 Underhill Ave.  
Burnaby, BC V5A 3C2

**USA**  
3888 Sound Way  
PO Box 9754  
Bellingham, WA 98226

N.A. Toll Free: 1-888-409-2288 (N.A. toll free)  
International: +1-604-420-7711  
Fax: +1-604-420-3300  
E-mail: [Sales@ExtremeCCTV.com](mailto:Sales@ExtremeCCTV.com)  
Web: [www.ExtremeCCTV.com](http://www.ExtremeCCTV.com)