

WZ14-N4-0 Compact Day-Night™ Camera



Important

Please read this document carefully before installation and initial use. Keep for future reference.

- A regulated DC 12V 300mA power supply is recommended for use with this camera for the best picture and the most stable operations.
- An unregulated power supply can cause damage to the camera. The use of an unregulated power supply with this camera will void the product warranty.
- Do not attempt to disassemble the camera to gain access to the internal components. Refer servicing to Extreme CCTV.
- It is recommended that the camera be used with a monitor that has a CCTV quality 75Ω video impedance level. If your monitor is switched to a high impedance level, then please adjust accordingly.
- Never face the camera towards the sun or any bright or reflective light. Doing so may cause smearing on the picture and possible damage to the CCD

Precautions

- Do not open or modify
- Do not put objects inside the unit. Make sure that no metal objects or flammable substances enter the camera. This may cause fire, short-circuits and other damages.
- Be careful when handling the unit. To prevent damage, do not drop the camera or subject it to strong shock or vibration.
- Install the camera away from electric or magnetic fields.
- Protect the camera from humidity and dust.
- Do not subject the unit to high temperature. Be careful when installing close to ceilings, in a kitchen or a boiler room as heat rises and will affect the camera.
- Dirt can be removed from the camera by wiping it with a clean soft moistened cloth and soft detergent solution.
- The mounting surface material must be strong enough to secure the camera.

Troubleshooting

Before sending the camera out for repair, check the questions below. If the problem persists after checking these questions, contact Extreme CCTV.

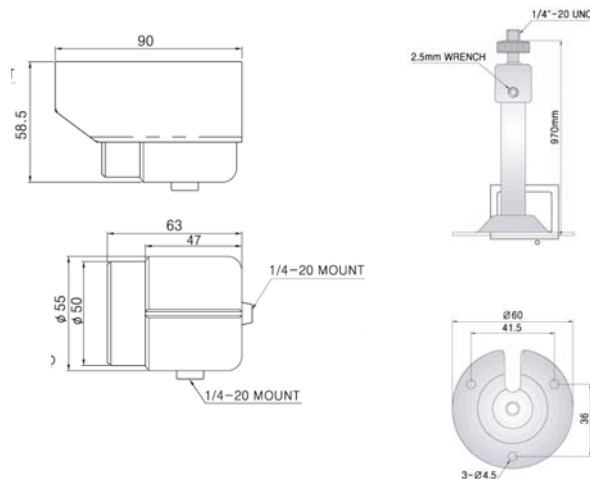
If no image appears

- Is the coaxial cable firmly attached?
- Is power and voltage at a normal level?
- Is there adequate illumination?
- Is the monitor correctly adjusted?

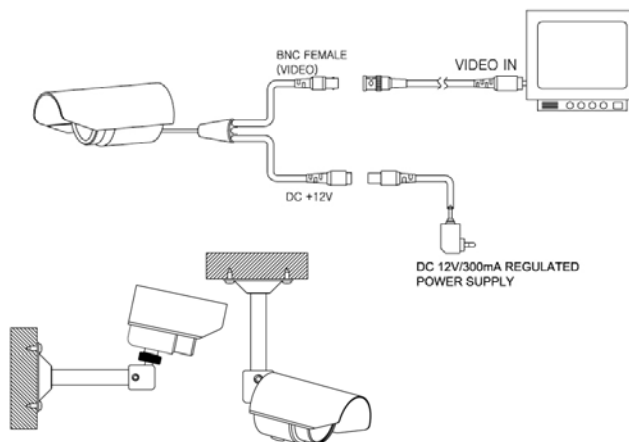
If the image is unclear

- Is the lens in focus?
- Is the lens dirty?

Installation



Installation (cont'd)



This device complies with Part 15 of FCC Rules. Operation is subject to the following two conditions.

1. This device may not cause harmful interference.
2. This device must accept any interference received, including interference that may cause undesired operation.

NOTE: - This equipment has been tested and found to comply with limits for a Class B digital device, pursuant to part 15 of the FCC Rules. These limits are designed to provide reasonable protection against harmful interference in a residential installation. This equipment generates, uses and can radiate radio communications. However, there is no guarantee that interference will not occur in a particular installation. If the camera turns on and off, correct the interference by one or more of the following measures:

- Reorient or relocate the receiving antenna
- Increase the separation between the equipment and receiver
- Connect camera into an outlet on a circuit different from that to which the receiver is connected
- Consult Extreme CCTV for technical support.

Camera Specifications

Part Number	WZ14-N4-0
CCD Camera	1/3" SuperHAD CCD
Resolution	380 TVL
Color / monochrome	Video level switching
Effective Pixels	NTSC: 510 (H) x 492 (V)
Night-Time Sensitivity	0 Lux (infrared on)
Electronics Iris	1/60 ~ 1/100,000 (NTSC)
Output Signal	1V P-P composite video, 75 Ohms
S/N Ratio	Greater than 48dB
Gamma	0.45
Lens	Fixed 3.7mm lens
LEDs	Infrared array, photocell-controlled
Wavelength	850nm
Number of LEDs	12
Voltage	12 VDC
Power Draw	250mA maximum
Construction	Aluminum extrusion
Finish	Anodized silver
Operational Temp.	-10°C to 50°C (14°F to +122°F)
Sunshield	Included as standard
Bracketry	Pan-tilt bracket included as standard
Power Supply	Not included
Weight	0.39kg (0.86lbs)
Dimensions	∅ 58.5mm x 90mm (L) 2.3" x 3.5" (L)

Subject To Change Without Notice.

Contact Information

Extreme CCTV Inc.

Canada 3021 Underhill Ave.,
Burnaby, BC V5A 3C2

USA 3888 Sound Way
PO Box 9754,
Bellingham, WA 98226

Tel: 1-888-409-2288 (toll free)
1-604-420-7711
Fax: 1-604-420-3300

E-mail: Sales@ExtremeCCTV.com
Web: www.ExtremeCCTV.com