



## Key Features

- Sony SuperHAD 1/3" CCD, 380 TVL
- 12 LEDs for 25ft of infrared illumination
- 25ft of active infrared night vision
- 3.7mm fixed lens
- Photocell-controlled infrared illumination
- Compact, water-resistant housing
- Plug and Play installation
- Wall, surface or ceiling mount
- Bracket and sunshield included as standard
- 12 VDC input
- Limited 1-year advance replacement guarantee included as standard

## Product Description

The WZ14 provides reliable day and night surveillance in a compact, water resistant design that integrates 12 infrared LEDs for 25ft of night vision. The WZ14 also comes standard with an advanced replacement guarantee that makes it the most cost-effective compact day-night camera for security dealers today.

Incorporating a Sony SuperHAD 1/3" CCD, the WZ14 delivers 380 TVL of color imaging during day and active-infrared monochrome at night.

The WZ14 uses 12 photocell-controlled infrared LEDs to deliver up to 25ft of night vision for effective 24/7 performance. Photocell-controlled LEDs ensure accurate on/off switching and help increase energy efficiency.

The WZ14 includes a versatile mounting bracket suitable for walls, surfaces and ceilings, as well as a sunhood. Constructed of extruded aluminum, the WZ14 is compact and discreet, featuring an anodised silver finish.

For indoor environments, the WZ14 is a quick and easy Plug and Play solution for 24/7 day and night surveillance.

## Product Image



### Limited 1-Year Advance Replacement Guarantee

The WZ14 is a compact day-night camera that delivers 25ft of night vision and comes with a standard limited 1-year advance replacement guarantee, making it the most cost-effective day-night compact camera available to security dealers today.

## Applications

- Commercial
- Warehouses
- Offices
- Retail
- Schools
- Residential
- Casinos
- Restaurants
- Hotels and nightclubs
- Convenience stores
- Banks

Dealer / Distributor



Corporate Headquarters  
**Extreme CCTV Inc**  
TF: 1 888 409 2288  
T: +1 604 420 7711  
F: +1 604 420 3300  
E: Sales@ExtremeCCTV.com  
www.ExtremeCCTV.com

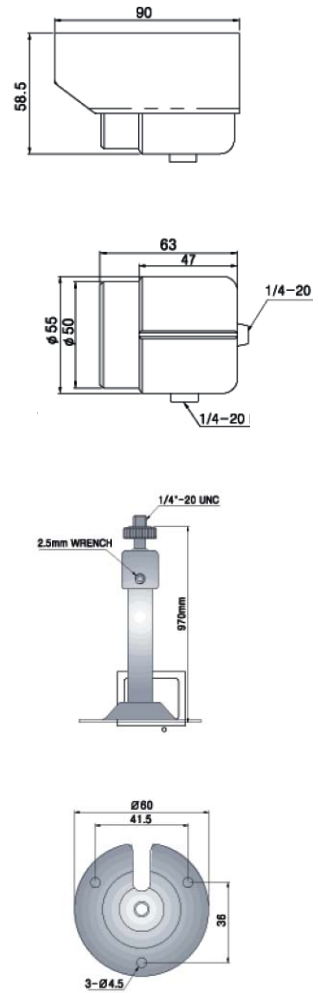


European Operation  
**Derwent Systems Ltd**  
A Division of Extreme CCTV (UK) Ltd  
T: +44 (0) 1670 730 187  
F: +44 (0) 1670 730 188  
E: SalesUK@DerwentCCTV.com  
www.DerwentCCTV.com



**Specifications**

Part Number	<b>WZ14-N4-0</b>
CCD Image Sensor	1/3" SuperHAD CCD
Type	Color / monochrome, video level switching
Resolution	380 TVL
Effective Pixels	NTSC: 510 (H) x 492 (V)
Night-Time Sensitivity	0 Lux (infrared on)
Electronics Iris	1/60 ~ 1/100,000 (NTSC)
Output Signal	1V P-P composite video, 75 Ohms
S/N Ratio	Greater than 48dB
Gamma	0.45
Lens	Fixed 3.7mm lens
LEDs	Infrared array, photocell-controlled
Wavelength	850nm
Number of LEDs	12
Voltage	12 VDC
Power Draw	250 mA or less
Construction	Aluminum extrusion
Finish	Anodized silver
Operational Temperature	-10°C to 50°C (14°F to +122°F)
Sunshield	Included as standard
Bracketry	Pan-tilt bracket included as standard
Power Supply	Not included
Weight	0.39kg (0.86lbs)
Dimensions	Φ 58.5mm x 90mm (L)   Φ 2.3" x 3.5" (L)



**Part Numbers**

**WZ14-N4-0** Compact Day-Night™ Camera  
1/3" SuperHAD CCD, 380TVL, color / bw,  
3.7mm lens, 12 LEDs, 850nm, photocell,  
anodized silver with pan-tilt bracket and  
sunhood included.

**Optional Accessories**

**EXPS.002** Power Supply, 120 VAC / 12 VDC, 500mA

Dealer / Distributor



Corporate Headquarters  
**Extreme CCTV Inc**  
TF: 1 888 409 2288  
T: +1 604 420 7711  
F: +1 604 420 3300  
E: Sales@ExtremeCCTV.com  
www.ExtremeCCTV.com



European Operation  
**Derwent Systems Ltd**  
A Division of Extreme CCTV (UK) Ltd  
T: +44 (0) 1670 730 187  
F: +44 (0) 1670 730 188  
E: SalesUK@DerwentCCTV.com  
www.DerwentCCTV.com