

Key Features

- Modular “MECC” versatility
- No Plug. Just Play.™
- i/o ports for power in and video out
- Video-out port for LCD positioning
- Completely wireless arrangement possible
- MECC i/o ports for versatility
- IP68 weatherproof connectors
- Extreme environment connector cable
- Detachable antenna on MECC™ RF Module
- Pole mount adaptor (optional)

Product Description

An EX26NX IDN camera with i/o ports to allow for MECC2 wireless RF transmission. All-weather IP68 DIN connectors and cabling allow for quick installation of the RF transmission box. A matching RF receiver also mounts to any pole for easy coordination of line of sight viewing.

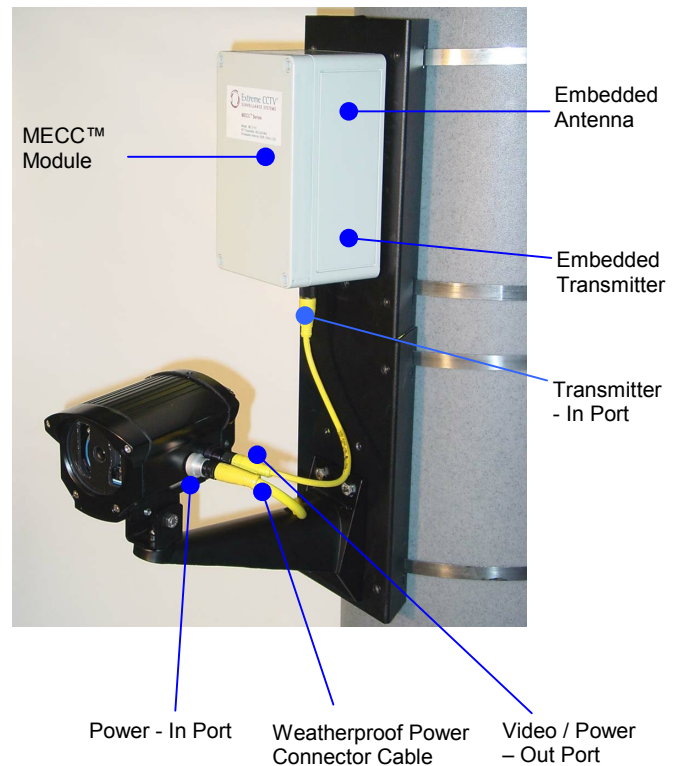
Optics include the SX400 LXR-CCD and a 24-LED array for excellent night vision beyond 50 feet outdoors and 75 feet indoors.

Ruggedized bracket and pole mount adaptor allows camera to be installed to any surface, wall, pole or tree.

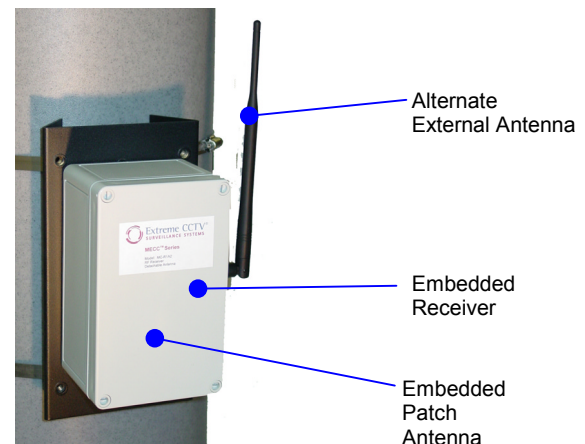
A&E Specifications

- Available upon request
Contact: sales@ExtremeCCTV.com

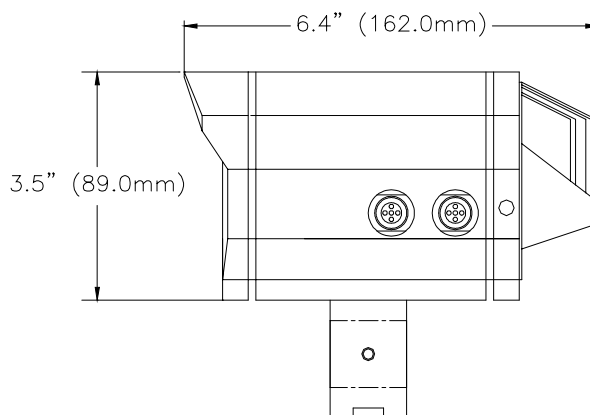
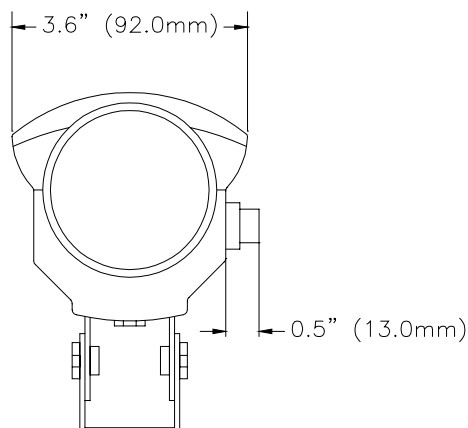
Product Image



Above↑: **EX26NX MECC 2.0** with optional RF transmitter. MECC i/o ports allow for quick and easy integration of wireless devices and backup battery equipment.



Optional RF Receiver model

Tech Drawings

Specifications

CCD Cameras (see CCD specs)	SX400 Monochrome 1/3" LXR™, 500 TVL
Lenses	4.3mm, 6mm, 8mm, 12mm & 16mm micro-mount lenses
Min. Illumination	ZERO (0) LUX – Operates in Complete Dark
Infrared Type	24 LEDs, Elliptical FHB Type
IR Wavelength	850nm (or 940nm optional)
Power Control	Voltage Regulator w/ Power Settings
Power Consumption	540mA @ 12VDC 260 mA @ 24VDC 6.5W max.
Voltage	12VDC or 24VAC selectable
Temperature Range w/ Sunhood (White Housing)	-50°C to 40°C (-58°F to 104°F) -50°C to 50°C (-58°F to 122°F)
Construction	Robust aluminium casting / extrusion
Window	1/16" Polycarbonate
IR Intensity	Adjustable IR Level
Dimensions	89mm (H) x 92mm (W) x 162mm (L) 3.5" (H) x 3.6" (W) x 6.4" (L)
Weight – EX26NX	2.0 lbs (0.9 kg)
Illumination Range	50ft (15m) range 20dB S/N image with zero (0) light
Mount	U Bracket (included)
Housing Color	Black (Other colors by special order)

Note: All -50°C (and below) temperatures require special cold – crack cabling

Part Numbers
IDN™ Camera:

EX26MC8.2.0xx EX26NX.84xx, 850nm LEDs, with MECC i/o ports.

EX26MC9.2.0xx EX26NX.94xx, 940nm LEDs, with MECC i/o ports.

i/o Port: 4 pin, IP68 weather-proof connector

Camera Accessories:

EXSH26 Sunhood
EXPS.004 Power supply, 120 VAC / 24VDC, 1.0 Amp
EXMB.020 Heavy duty, wall mount L-bracket
EXMB.023 Die-cast, aluminium wall bracket

Optional RF Accessories:

see MECC-RF Accessories Tech Sheet

MC-T1A1 RF Transmitter, 2.4 GHz, 900ft range L.O.S.
MC-R1A1 RF Receiver, 2.4 GHz

MC-T5A5 RF Transmitter, 900 MHz, 900ft range L.O.S.
MC-R2A2 RF Receiver, 900 MHz

Optional Power Accessory:

Solar Power system available.

Contact Extreme CCTV for further information.

Dealer/Distributor



UK / Europe

Tel: +44 (0) 1670 730 187

Fax: +44 (0) 1670 730 188



USA / Canada

Tel: +1.604.420.7711

Fax: +1.604.420.3300

Toll Free (N.A.)

Tel: +1.888.409.2288

www.ExtremeCCTV.com