

## YP3040 Pan-Tilt Motor

Operator-controlled field of view adjustment.



- > Pan-tilt functionality for fixed cameras
- > Operator controlled movement
- > Preset positions
- > IP66-rated protection
- > For wall mounting
- > Easy installation

YP3040 Pan-Tilt Motor is an optional accessory for Axis fixed network cameras with pan-tilt support. It is ideal for use where a cost effective solution for fine adjustments to a camera's field of view is needed.

YP3040 Pan-Tilt Motor adds pan-tilt functionality to Axis fixed network cameras with pan-tilt support. The camera is connected directly to the Pan-Tilt Motor and can be panned and tilted easily by an operator. The Pan-Tilt Motor has support for 32 preset positions.

YP3040 Pan-Tilt Motor can be used both indoors and outdoors. It is IP66 rated and recommended for use with AXIS T92A20 Housing. The Pan-Tilt Motor is recommended for wall mounting with an optional YP3040 Wall Bracket. The recommended power supply is AXIS PS24 Mains Adaptor.

YP3040 Pan-Tilt Motor is easy to install. It is pre-configured for use with AXIS Q1755 and AXIS T92A20 Housing, or AXIS Q1910-E Thermal Network Camera.

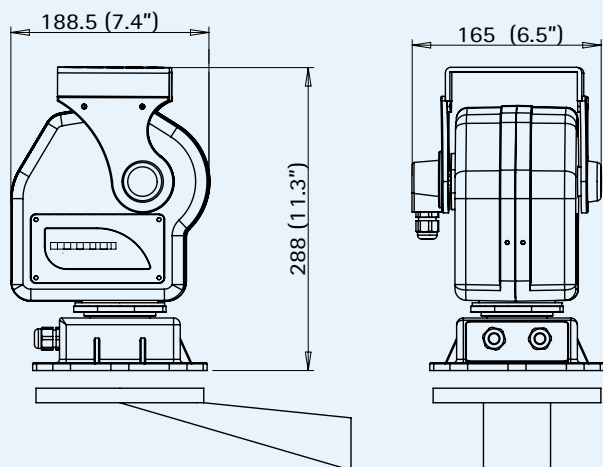


## Technical specifications – YP3040 Pan-Tilt Motor

General	
<b>Pan/Tilt</b>	Pan range 0° to 355° Tilt range 10° to -80° Pan speed 7.5°/s Tilt speed 6°/s 32 preset positions Designed for operator control
<b>Protocol</b>	Pelco-D
<b>Ports</b>	One RS-485 port
<b>Input voltage</b>	24 V AC 50/60 Hz AXIS PS24 recommended
<b>Power consumption</b>	30 W
<b>Construction/material</b>	Aluminum alloy
<b>Operating temperature</b>	-20 °C to 65 °C (-4 °F to 149 °F)
<b>Protection class</b>	IP66 (indoor and outdoor use)
<b>Load</b>	Torque 1.5 N m (1.1 ft. lb) Top load, maximum 8 kg (17.6 lb)
<b>Mounting</b>	For wall mounting
<b>Weight</b>	4.2 kg (9 lb)
<b>Dimensions</b>	288 x 165 x 188.5 mm (11" x 6" x 7")
<b>Supported cameras</b>	AXIS Q1755 Network Camera, AXIS Q1910-E Thermal Network Camera
<b>Included accessories</b>	Mounting kit, Drill template, Installation guide
<b>Recommended accessories</b>	YP3040 Wall Bracket, AXIS T92A20 Housing, AXIS PS24 Mains Adaptor
<b>Optional accessories</b>	AXIS 295 Joystick

More information is available at [www.axis.com](http://www.axis.com)

### Dimensions mm (inch)



### Accessories

YP3040 Wall Bracket



AXIS T92A20 Housing



AXIS 295 Joystick



AXIS PS24 Mains Adaptor

