



Pictured: REG-L1 with side pole mount bracket

## PRODUCT DESCRIPTION

REG-L1 – featuring DHC-Imaging™ technology – delivers advanced performance and represents the next generation of number plate capture solution from Derwent.

Combining Derwent's latest technology, REG-L1 integrates advances in optics, electronics, Infra-Red illumination and Ambient Rejection technology for high contrast number plate images.

With an operational range of up to 25m (82ft), REG-L1 provides high contrast images across the complete spectrum of ambient lighting conditions, from total darkness to direct glare from sunlight or highlights. The high speed optical synchronisation system captures plates from vehicles moving at speeds of up to 100mph (160kph), enabling effective capture on motorways, highways and other high speed applications.

Housed in a weather sealed unit, field-proven for successful application in extreme environments, REG-L1's high efficiency Metaphase-LED array eliminates the need for routine bulb changes, an improved electronic design allows for low voltage operation at 12V to 24V ac/dc

REG-L1 has been designed to work on a stand-alone basis with VCR, DVRs and specifically to work with third party ANPR software.

## A&E SPECIFICATION

Please contact Derwent for a full A&E specification

## REG-L1

### DHC-Imaging™ Number Plate Capture

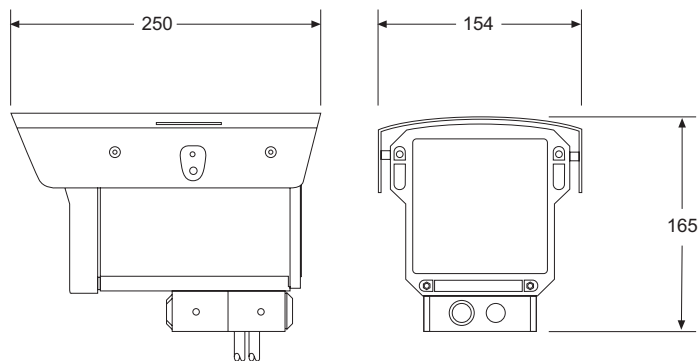
- ▶ DHC Imaging™ technology for Definitive High-Contrast number plate capture
- ▶ High speed capture, up to 100mph (160kph)
- ▶ Metaphase-LEDs for powerful IR illumination
- ▶ Capture up to 25m (82ft)
- ▶ 24/7 capture in day & dark conditions
- ▶ Advanced Ambient Rejection technology
- ▶ Energy efficient operation 12V – 24V ac/dc
- ▶ Compact housing, covert installer friendly design

## APPLICATIONS

- ▶ ANPR Applications
- ▶ Government Buildings
- ▶ Traffic Monitoring
- ▶ Border Control
- ▶ Access Control
- ▶ Car Parks
- ▶ Police
- ▶ Post-Event Investigation
- ▶ 12 V – 24 V ac/dc Operation

## NOTE

All operational distances quoted refer to standard UK number plates which are retro-reflective. Achievable distances for other nationality plates may differ according to the size and reflectivity of plate. We are happy to advise on the suitability of REG for your specific scheme.



Note: All dimensions are in millimetres.

## TECHNICAL

### REG-L1 SPECIFICATION

Operational Range	Up to 25m
Camera Sensors	1/2" Ex-View CCD Sensor
Resolution	High Resolution 600 TVL
IR Illumination	Metaphase LEDs, high resolution array, 850nm
Average Illuminator Life	> 5 years
Input	12V – 24V ac/dc
Consumption	30W
Temperature Range	+50°C (122°F) to 50°C (-58°F)
Construction	Robust, weatherproof aluminium casting and extrusion
Environmental	Sunshield
Dimensions	250 x 154 x 165 mm
Colour	Supplied in black (RAL B401) as standard and in an optional traffic yellow (RAL 1023.) Other RAL colours available upon request, minimum order quantity applies.
Weight	2.8 kg
Bracket	Supplied with mounting block as standard, order bracket separately, select from optional accessories
Power Supply Unit	Derwent recommend PSU230-24-75W if mains operation is required, order PSU separately

### PRODUCT SELECTOR

Lens Option (mm)	12mm	16mm	25mm	35mm	50mm
Angular H-FOV	30°	22°	14°	10°	8°
Operational Range (m)	3-6m	5-8m	7-12m	11-18m	17-25m

REG is calibrated to ensure maximum accuracy and capture. Select the range taking into consideration the maximum point at which capture is required.

### PART NUMBERS

<b>REG-L1</b>	<b>8</b>	<b>12</b>	<b>X</b>	<b>C</b>	<b>01</b>
<b>Model</b> REG-L1	<b>Nm</b> 8: 850nm	<b>Lens Option</b> 12mm 3 to 6m 16mm 5 to 8m 25mm 7 to 12m 35mm 11 to 18m 50mm 17 to 25m	<b>Camera Type</b> X: Standard	<b>Region</b> C: CCIR E: EIA	<b>Colour</b> 01: Black 04: Yellow

### OPTIONAL ACCESSORIES

BRKT-D020-01	Cable managed wall mount bracket – black
BRKT-D020-04	Cable managed wall mount bracket – yellow
BRKT-D021	Pole top mount bracket
BRKT-D022	Side pole mount bracket
BRKT-D023	Ceiling mount

Dealer/Distributor

Europe/Africa/Middle East contact:  
Derwent Systems Ltd  
Tel: +44 (0) 1670 730187  
Email: sales@DerwentCCTV.com  
Web: www.DerwentCCTV.com

North & South America/Asia contact:  
Extreme CCTV  
Tel: + 1 604 420 7711  
Email: sales@ExtremeCCTV.com  
Web: www.ExtremeCCTV.com