

## Key Features

- Total ballistic protection for bullet-proof surveillance
- Double layered ballistic design neutralizes bullet forces and bullet impact
- Constructed of 1026 Cold Drawn High Strength steel
- CNC machined
- 360° internal camera rotation
- Custom bracket with full pan / tilt positioning
- Back end cable management
- Four-layered polycarbonate window 1.25" in thickness
- Designed to IP68, UL752 Level 6 Ballistic rating
- Sunshield adds additional layer of ballistic protection
- High-resolution LXR CCD for IR performance
- 4-8mm Varifocal auto-iris lens

## Product Description

Bullet-proof CCTV surveillance is essential as part of comprehensive measures for high-security applications. Ballistic design enables CCTV equipment to survive hostile gunfire attacks while upholding video vigilance. The design of such equipment must neutralize the extreme impact, momentum and shock generated by bullets while protecting the camera's functional integrity.

Integral to the ZX20 design is a double-walled chamber body made of cold drawn, high strength steel. The first layer absorbs the initial impact of any incoming projectile, while the second layer flexes to neutralize the remaining forces. For effective frontal protection, a four-layered, 1.25" ballistic insert ensures bullet-proof resiliency while maintaining high optical clarity and IR capability. The high-resolution LXR sensor delivers exceptional performance in the near infrared spectrum for effective Night Vision.

With a housing designed to UL752 Level 6 (Ballistic), the ZX20 is the ideal surveillance solution for extreme environments at risk of hostile gunfire.

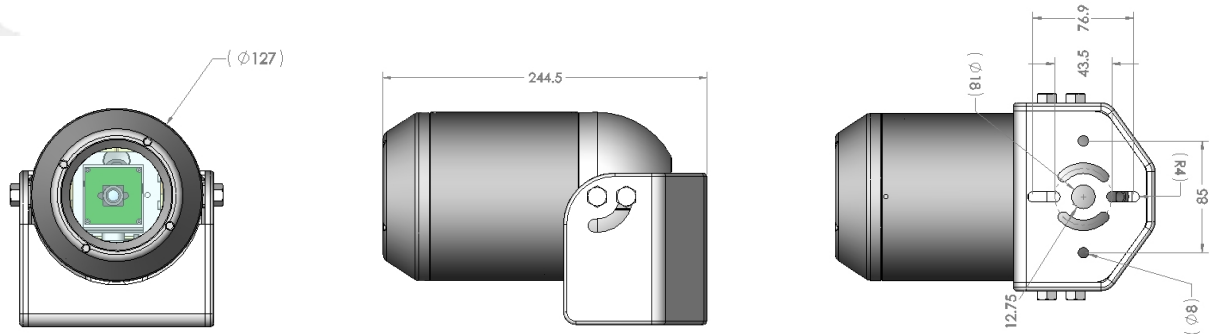
## Product Image



## Applications

- Military and Defence applications
- Government sites
- Terrorist-prone locations
- Ports and harbours
- Jails and prisons
- Critical public infrastructure
- Law enforcement applications
- Hostile Environments
- Oil and gas infrastructure

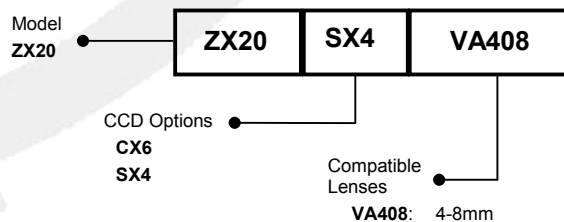
### Technical Drawings



### Specifications: ZX20 Ballistic Camera

CCD	CX6 Enhanced Infrared Performance	SX4 Night-Time Sensor
Image Sensor	1/3" LXR CCD	1/3" LXR CCD
Resolution	480 TVL	420 TVL
Effective Pixels NTSC	811 (H) x 508 (V)	542 (H) x 492 (V)
Effective Pixels PAL	795 (H) x 586 (V)	542 (H) x 582 (V)
Sensitivity	0.14 Lux @ F1.4	0.01 Lux @ F1.2
S/N Ratio	Greater than 48dB	Greater than 48dB
Input Voltage	12 VDC or 24 VAC	
Body Material	1026 Cold Drawn High Strength Steel	
Ballistic Insert	Four-layer polycarbonate 1.25" thick (UL 752 Level 6 rated)	
Weight	25.1lbs (11.4kg)	
Inner Diameter	102mm (4.0")	
Outer Diameter	127mm (5.0")	
Inner Length	149mm (5.9")	
Outer Length	217mm (8.5")	
Sunshield	Included	
Bracketry	Included	
Lens Options	Varifocal auto-iris 4-8mm	

### Part Numbers (Special Order Models available on request)



### Optional Accessories

EXPS.001 Power supply unit