



**IR300**

A COMPLETE SERIES OF INFRARED ILLUMINATORS FOR NIGHT DISCREET SURVEILLANCE

- Indoor/outdoor installations
- Stainless steel screws
- Black epoxy powder coat
- Weatherproof standard IP66 (IR20 and IR50) and IP65 (IR300)

IR infrared illuminators are made from die-cast aluminium; painted with epoxy powder; they ensure high protection and environmental adaptability.

The infrared beam has a wavelength of 850 nm. IR illuminators are assembled with stainless steel screws and "O" rings which guarantee a IP66 weatherproof standard (IP65 for IR300).

Lamps with different light beams (spot, flood, wide flood) are available.

Weight: 0,9 Kg (IR20, IR50)  
5,3 Kg (IR300)

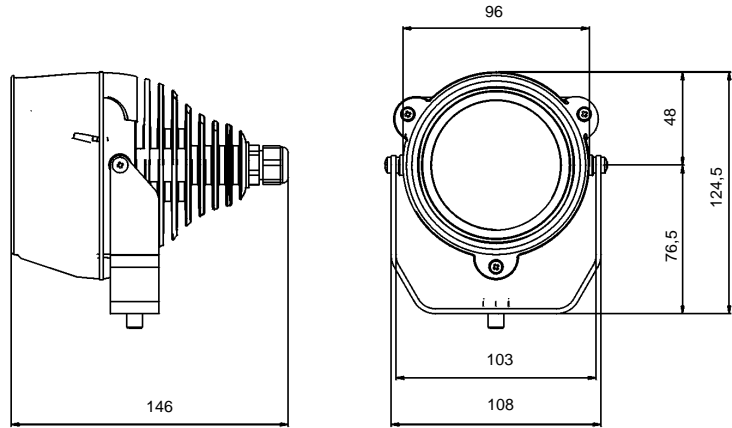


**IR20/ IR50**

CODE	DESCRIPTION
<b>IR20 12V</b>	Infrared illuminator with 20W, 12 V~/V~ lamp
<b>IR50 12V</b>	Infrared illuminator with 50W, 12 V~/V~ lamp
<b>IR50 230V</b>	Infrared illuminator with 50W, 230 V~ lamp
<b>IR300</b>	Infrared illuminator with 300W, 230 V~ lamp
<b>IRPS12</b>	Power supply 230V~/12V~ on weatherproof box

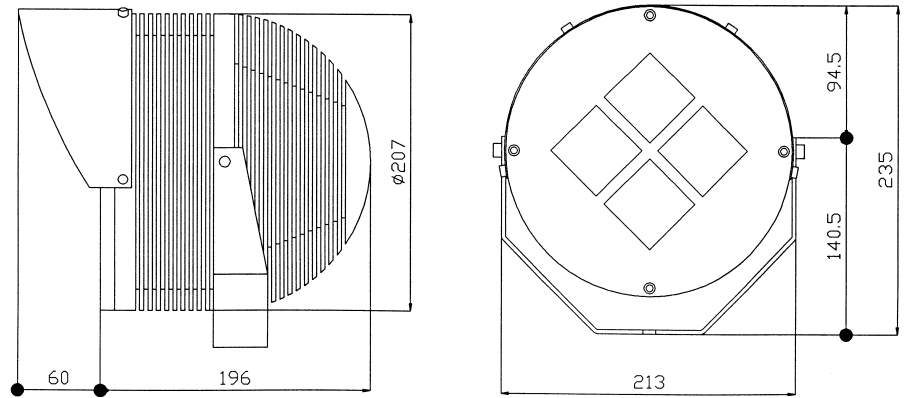
IR20  
IR50

Infrared illuminator 20W  
Infrared illuminator 50W



IR300

Infrared illuminator  
300W



MODEL	VAC	HORIZONTAL BEAM	VERTICAL BEAM	DISTANCE (metres)
IR20 flood	12	40°	40°	7
IR50 spot	12	10°	10°	12
IR50 flood	12	40°	40°	9
IR50 wide	12	60°	60°	7
IR50 flood	230	40°	40°	16
IR300 spot	230	10°	8°	65
IR300 flood	230	23°	10°	35
IR300 wide	230	40°	20°	20