

## Key Features

- Discreet light switch infrared illuminator designed to complement FR-series facial recognition cameras
- 30 LED array delivers 20ft high-efficiency IR illumination
- Excellent complement to overview cameras, delivering evidentiary video for identification
- Pan-tilt adjustable chassis enables easy infrared array positioning to accommodate different applications
- Fits perfectly into electrical gang boxes for discreet operation under light switch aesthetics
- Voltage regulated for 12 VDC or 24 VAC operation
- Low power consumption
- Integrates easily with standard décor plates
- Covert operation under the guise of a light switch
- Combine with FR-series cameras for 24/7 facial capture surveillance

## Product Description

The FR Series cameras and illuminators are precision engineered for effective facial recognition surveillance at critical locations. Providing an important surveillance capability, the FR Series cameras and illuminators supplement corner-mounted overview cameras with evidentiary video for identification.

Designed to fit inside standard electrical boxes, the FR Series illuminator delivers active-infrared illumination discreetly and effectively from the cover of light switch aesthetics. Integrated with standard décor plates, the FR Series cameras are well-positioned and well-disguised for facial recognition surveillance when combined with FR Series cameras at critical access points.

FR Series illuminators feature a pan-tilt adjustable chassis that enables fast and easy positioning. Security installers can now achieve outstanding facial illumination for a variety of applications from a wide range of angles.

The FR Series illuminator is an energy efficient unit consuming a maximum of 3.6W at either 12VDC or 24VAC. Operation is covert and hidden behind a darkened optical screen, included as standard.

FR Series cameras and illuminators are fast and easy to install and deliver facial recognition surveillance for critical security projects. Dealers can now provide evidentiary video for identification on a 24/7 basis, under any lighting condition.

## Product Image

The FR Series infrared illuminator helps enable effective facial recognition surveillance for critical access points. Designed to fit inside electrical gang boxes, the FR Series is discreet and inconspicuous.



The camera produces no usable image under dark conditions.

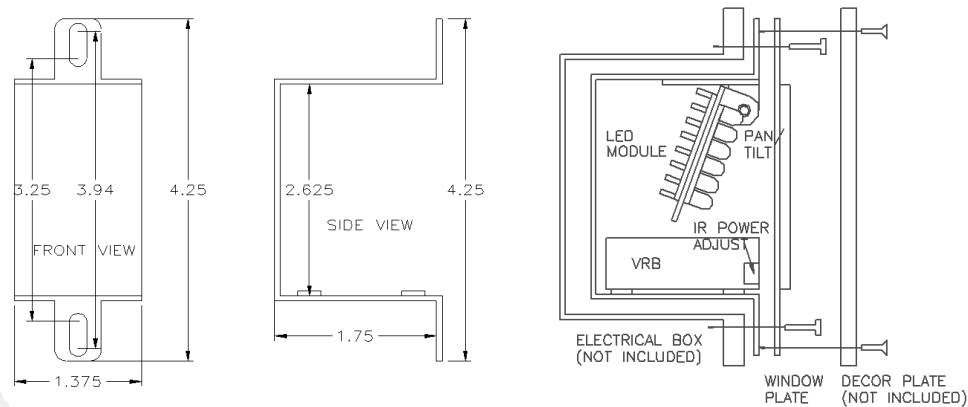


Under the same conditions, The FR Series uses "invisible" active-infrared illumination to deliver facial recognition surveillance in complete darkness.

## Applications

- Government buildings
- Banks
- Commercial applications
- Critical infrastructure
- Defense
- Restricted access areas
- Casinos
- Airports
- Residential

### Technical Drawings

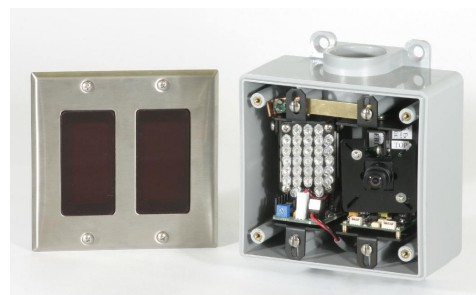


### Specifications: FR-series Infrared Illuminators

Part Number	EB-IR850	EB-IR940
Wavelength	850nm semi-covert	940 covert
LEDs	30 LED high efficiency array	
Intensity	IR intensity adjustable	
Gimbal	Pan-Tilt adjustable gimbal	
Front Window	Dark red optical screen	
Voltage	12 VDC or 24 VAC	
Power Draw	3.6 W at 12VDC	
Weight	3.5oz   100g	
Operational Range	-30°C to +40°C (-22°F to 104°F)	
Overall Dimension	1.4" (W) x 4.25" (H) x 1.8" (D)   (35.5 x 108 x 45.7mm)	

### Accessories

**EXPS.001** 12VDC Power Supply, 1.0A (NA)



The FR Series IR Illuminators integrate with electrical gang boxes and décor plates for covert operation. Combined here with FR-series cameras for effective 24/7 facial recognition surveillance.

Dealer / Distributor



Corporate Headquarters  
**Extreme CCTV Inc**  
 TF: 1 888 409 2288  
 T: +1 604 420 7711  
 F: +1 604 420 3300  
 E: Sales@ExtremeCCTV.com  
 www.ExtremeCCTV.com



European Operation  
**Derwent Systems Ltd**  
 A Division of Extreme CCTV (UK) Ltd  
 T: +44 (0) 1670 730 187  
 F: +44 (0) 1670 730 188  
 E: SalesUK@DerwentCCTV.com  
 www.DerwentCCTV.com