

# ZX700



Building on military spotlight designs, ZX700 is Derwent's high power solution for CCTV applications requiring long range Infra-Red illumination.

ZX700 features high efficiency, gold optics, designed to maximise achievable illumination distances without increasing power consumption, thus ZX700 is highly power efficient using only 200w and has an extended bulb life of on average 3000hrs.

Robust, weatherproof and IP66 rated this high power illuminator can be used to illuminate distances of up to 700m when using a single lamp and to over 1km when used in a dual lamp system.

## APPLICATIONS:

Ports and harbours

Airports

Border control applications

Perimeter surveillance

Integrate with radar for "seek and define" applications

Long range VMD and ISA applications

ZX700 High power, long range IR illumination to 1km

Optomised reflector for focused even-illumination beam

High power output, achieved through high efficiency, gold coated, optical design

Low power consumption of only 200w

Range of filters available, overt (730nm), semi-covert (830nm), covert (950nm)

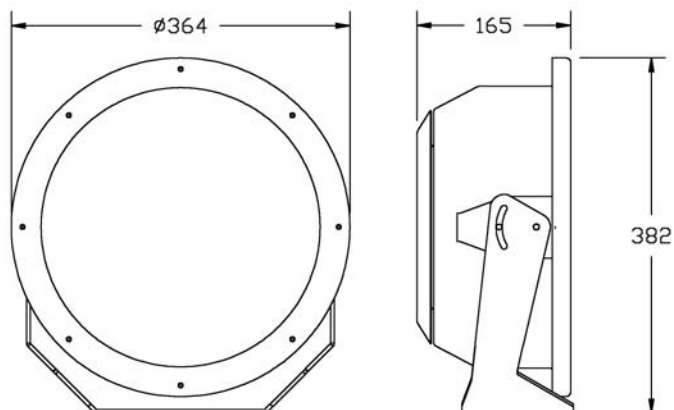
Robust light weight aluminum construction

Rugged, weatherproof IP66 rated housing

Long bulb life on average 3000hrs

Derwent provide specialised technical advice and support for your night-time illumination CCTV projects and can arrange on-site product demonstrations

# ZX700



## Illuminator Specification

### General

Radiated output:	Low divergence, high intensity Infra-Red source
Optics:	Optimised focus, gold optics system
Power Consumption:	200w
Construction:	Light weight, robust, IP66 rated aluminum housing
Dimensions: H x W x D	380mm x 340mm x 170mm Front Face: 340mm diameter Fixing 4"PCD
Weight:	6.0 Kg
Colour:	Black, other RAL colours available on request.
Cable length:	Supplied with a 4m (13ft) heat resistant cable

*Note: Temperatures of -50°C and below will require special cold crack cabling.*

### Filter specification

Standard filters:	730nm, 830nm and 950nm Long-pass
Field of View:	2 1/2°, equating to 60m horizontal FOV at a range of 700m

*Note: Range, video signal, signal to noise ratio and horizontal field of view width depend on the sensitivity and spectral response of the lens-camera combination.*

## Power Supply Specification

Mains Supply:	230V, 50Hz Protected by 2A (T) slow blow fuse
Output:	Nominal 28V adjustable by internal taps
Single lamp system:	PSU5SS 220VA
Dual lamp system:	PSU5ST 440VA

## Ordering information

Specify as separate items:

Specify

Order:

1. Specify lamp including lens and filter
2. Specify power supply

## Specified Agent:

Derwent Systems  
Derwent House, Colbourne Crescent,  
Nelson Park Industrial Estate,  
Cramlington,  
Northumberland, NE23 1WB,  
United Kingdom  
Tel: +44 (0) 1670 730187  
Fax: +44 (0) 1670 730188

Extreme CCTV  
3021 Underhill Avenue  
Burnaby  
BC V5A 32C  
Canada  
Toll Free: 1.888.409.2288  
Tel: 1.604.420.7711  
Fax: 1.604.420.3300

In view of company policy of continuous product development specifications may be changed without prior notice.