

Key Features

- Compact, sleek, attractive design
- Up to 200m (~650ft) active-infrared illumination
- Low power consumption, less than 40 Watts
- Dedicated power supply unit included as standard
- Low voltage operation, 24V input now available
- Rugged and weatherproof
- Integral heatsink for effective thermal dissipation
- Photocell-controlled for maximum energy efficiency
- Typical LED lifetime well exceeds five years
- Solid state design with no moving parts for prolonged operational lifetime
- Enables outstanding active-infrared night vision performance for day-night cameras and speed domes
- Operational temperature -50°C to +50°C (-58°F to +122°F)
- Designed to IP66 / NEMA 4 for reliable performance in harsh outdoor environments

Product Description

The UFLED is a stylish, compact LED-based infrared illuminator that provides up to 200m (~650ft) of active-infrared night vision for day-night cameras and speed domes under all-weather conditions. Available in 120V or 24V input models.

Consuming less than 40 Watts, UFLED is designed for highly-efficient yet powerful performance. Now available in a low voltage 24V model, the UFLED's solid-state design ensures outstanding reliability throughout its operation lifetime which well exceeds five years.

The photocell controlled UFLED incorporates 252 high-power LEDs which deliver up to 200m (~650ft) of award-winning active-infrared illumination, enabling outstanding night vision performance for day-night cameras and speed domes.

The UFLED is robust and designed to IP66 / NEMA 4 standards to ensure reliable performance in extreme weather conditions ranging from -50°C to +50°C (-58°F to +122°F). UFLED includes a dedicated power supply unit and bracket as standard, enabling true plug and play ease of installation. Security professionals can now choose from models for 120V and 24V input voltages.

Product Image



Applications

- Critical infrastructure
- Government buildings
- Ports and harbors
- Energy
- Industrial sites
- Military bases
- Perimeters
- Airports
- Coastlines
- Prisons
- Water reservoirs
- Homeland Security

Certifications / Compliance

CSA Std C22.2 (No 0-M1991)	General Requirements
CSA Std C22.2 (No 0.4-M1982)	Bonding & Grndg of Elec Equip.
CSA Std C22.2 (No 66-1988)	Specialty Transformers
CSA Std C22.2 (No 205-M1983)	Signal Equipment
CSA Std C22.2 (No 91-M91)	Special Purpose Enclosure
CSA Std C22.2 (No 250-00)	Luminaires
UL Std No 506	Transformers, Specialty
UL Std No 50	Enclosures for Elec. Equip.
UL Std No 1598	Luminaires

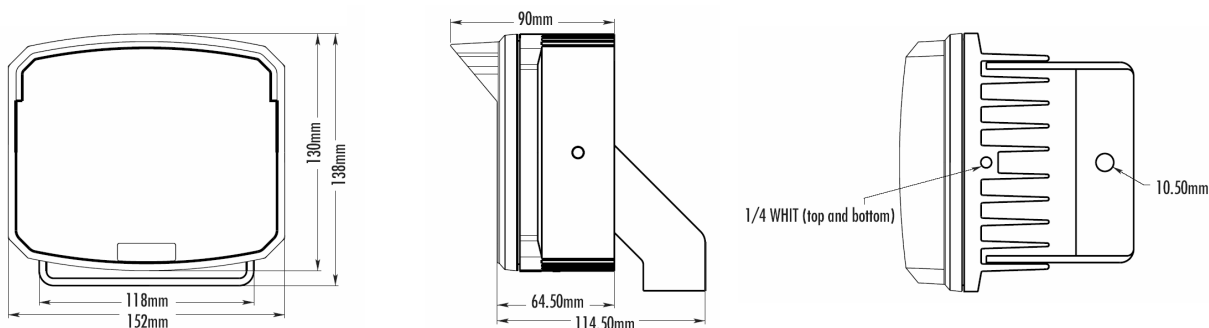
Dealer / Distributor



Corporate Headquarters
Extreme CCTV Inc
TF: 1 888 409 2288
T: +1 604 420 7711
F: +1 604 420 3300
E: Sales@ExtremeCCTV.com
www.ExtremeCCTV.com



European Operation
Derwent Systems Ltd
A Division of Extreme CCTV (UK) Ltd
T: +44 (0) 1670 730 187
F: +44 (0) 1670 730 188
E: SalesUK@DerwentCCTV.com
www.DerwentCCTV.com

Technical Drawings

Specifications
(Other Special Order Models available on request)

Illuminator	UFLED Infrared Illuminator	
LED Array	252 high efficiency LEDs	
Available Wavelengths	850nm or 940nm	
Operational Temperature	-50°C to +50°C -58°F to +122°F	
Cabling	Supplied with 4m (13ft) lead	
Color	Black	
Construction	Robust aluminum casting / extrusion	
Weight	3.1lbs 1.4kg	
Dimension	130mm x 152mm x 65mm 5.1" x 6.0" x 2.5"	
Environmental	IP66 / NEMA 4	
Bracketry	U-bracket for top or bottom mount	
Power Supply	24V AC or DC Input PSU	120VAC Input PSU
Mains Supply	24V AC or DC, 50/60Hz, 1.8A	120VAC, 50/60Hz, 0.35A
Output	25W to 36W	
Photocell	Dusk / dawn automatic switching, sensitivity adjustable	
Remote Control	Volt-free contact provided (switch or relay required)	
Construction	Polycarbonate IP66 / NEMA 4 enclosure	
Weight	3.6lbs 1.62kg	
Dimension	160mm x 120mm x 90mm 6.3" x 4.7" x 3.5"	
Operating Temperature	-30°C to +50°C -22°F to +122°F	

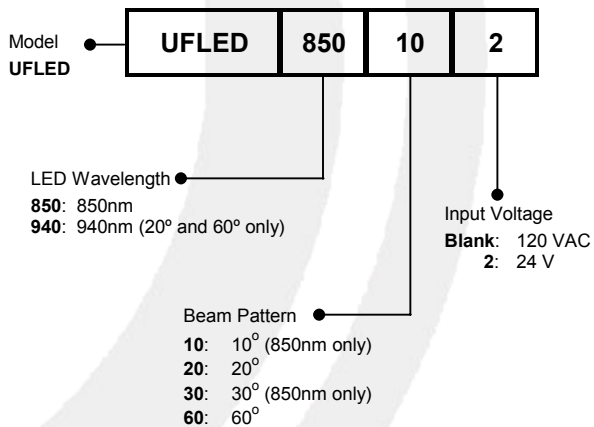
Dealer / Distributor


 Corporate Headquarters
Extreme CCTV Inc
 TF: 1 888 409 2288
 T: +1 604 420 7711
 F: +1 604 420 3300
 E: Sales@ExtremeCCTV.com
 www.ExtremeCCTV.com

 European Operation
Derwent Systems Ltd
 A Division of Extreme CCTV (UK) Ltd
 T: +44 (0) 1670 730 187
 F: +44 (0) 1670 730 188
 E: SalesUK@DerwentCCTV.com
 www.DerwentCCTV.com

Performance Notes

Model	Part Number (excluding PSU)	Effective Illumination Distance
850nm 10°	UFLED850-10x	200m ~650ft
850nm 20°	UFLED850-20x	120m ~394ft
850nm 30°	UFLED850-30x	80m ~260ft
850nm 60°	UFLED850-60x	58m ~190ft
940nm 20°	UFLED940-20x	42m ~140ft
940nm 60°	UFLED940-60x	32m ~105ft

Part Number

Accessories

- EXMB.011** Twin Lamp Adaptor Bracket
- EXMB.015** Pole Mount Adaptor
- EXMB.020** Versatile L-Bracket
- UFPS.301R** Replacement Power Supply



Above: Dual-UFLEDs mounted on EXMB.011 and EXMB.020 (sold separately). The combination is an ideal solution for achieving night vision in PTZ applications.

Dealer / Distributor



Corporate Headquarters
Extreme CCTV Inc
 TF: 1 888 409 2288
 T: +1 604 420 7711
 F: +1 604 420 3300
 E: Sales@ExtremeCCTV.com
 www.ExtremeCCTV.com



European Operation
Derwent Systems Ltd
 A Division of Extreme CCTV (UK) Ltd
 T: +44 (0) 1670 730 187
 F: +44 (0) 1670 730 188
 E: SalesUK@DerwentCCTV.com
 www.DerwentCCTV.com