



MiniFlood 100

- ▶ Compact Infra-Red Illuminator
- ▶ Illumination to 55m/180ft
- ▶ Long Bulb Life, Average 8000 hrs
- ▶ Range of Beam Patterns
- ▶ Range of Filter Options from 730nm to Covert 950nm
- ▶ Low Operating Cost
- ▶ Extensive Mounting Options
- ▶ Suitable for Internal & External Use

PRODUCT DESCRIPTION

Small and tough MF100 is the ideal solution for CCTV systems requiring discreet, effective short-range illumination.

Featuring a high efficiency quartz halogen bulb, MF100 has a truly exceptional bulb life of on average 8000 hrs normal night-time operation.

The lamps industrial designed housing is compact and weatherproof. Constructed using extruded, cast aluminium components, the housing also acts as a heat sink to allow for efficient illumination at low input voltages of 12 Volts AC or DC

A versatile illuminator MF100 is available with a variety of lenses and filters and extensive mounting options. As a 12 Volt illuminator MF100 is suitable for mobile surveillance.

A&E SPECIFICATION

Please contact Derwent for a full A&E specification.

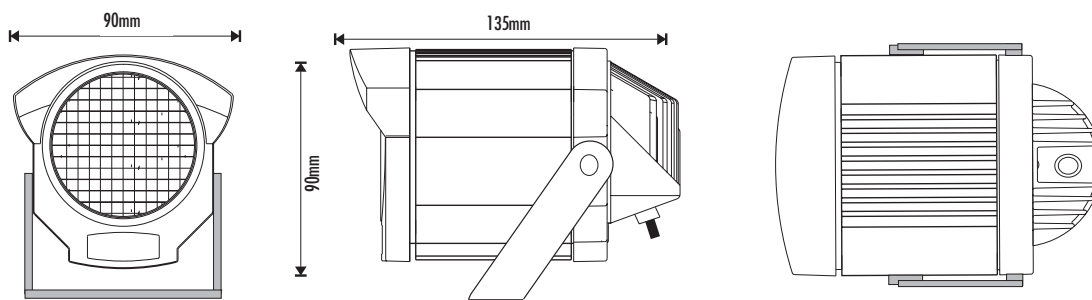
APPLICATIONS

External

- ▶ Where visible lighting is prohibited or expensive
- ▶ Covert, discreet surveillance
- ▶ Mobile 12V surveillance

Internal

- ▶ Offices
- ▶ Commercial premises
- ▶ Warehouses & factories
- ▶ Offices
- ▶ Residential



Note: All dimensions in millimetres.

TECHNICAL

SELECTION GUIDE

| Order Part No. | Beam Angle | Wavelength | Illumination | Achievable Distance | HFOV |
|----------------|------------|------------|--------------|---------------------|----------|
| MF100/10/730 | 10° | 730nm | Semi-Covert | 55m/180ft | 10m/33ft |
| MF100/30/730 | 30° | 730nm | Semi-Covert | 40m/131ft | 20m/66ft |
| MF100/60/730 | 60° | 730nm | Semi-Covert | 25m/82ft | 25m/82ft |

Note: 830nm (semi-covert) and 950nm (covert) versions available. To order replace 730 with 830 or 950 in the part numbers above. Contact Derwent for full selection guides. Distance achievable depends upon the Infra-Red characteristics of CCD camera and lens.

ILLUMINATOR SPECIFICATION

| | |
|-------------------|---|
| Consumption | Nominal 70W (5.6A@12.6). 80W Max |
| Average Bulb Life | 8000 hrs |
| Temperature Range | +50°C (122°F) to -50°C (-58°F) |
| Construction | Robust, aluminium casting & extrusion |
| Dimensions | 135 x 90 x 90mm |
| Colour | Black as standard. Special order other RAL colours, minimum order applies |
| Weight | 0.8 Kg |
| Cable Length | Supplied with 2m (6.5ft) of connecting lead |
| Bracket | U bracket as standard. 1/4" BSW tapped hole for top and bottom mounting |
| Replacement Bulb | Order MINILL |

POWER SUPPLY SPECIFICATION - ORDER PSUMINISS (SINGLE) OR PSUMINIST (TWIN) PSU SEPARATELY

| | | |
|--------------|------------------------------------|------------------------------|
| Input | 220V - 240V, 50Hz | |
| Output | Nominal 12.6 VAC, 5.6 Amp | |
| Photocell | Dawn/Dusk Automatic Switching | |
| Construction | Polycarbonate IP66 rated enclosure | |
| Colour | Grey (RAL 7035) | |
| Dimensions | PSUMINISS - 120 x 120 x 65mm | PSUMINIST - 140 x 230 x 95mm |
| Weight | PSUMINISS - 0.5 Kg | PSUMINIST - 3 Kg |

Note: Torridal version PSUs available, order PSUMINISS - TORR (Single) and PSUMINIST - TORR (Twin). Contact Derwent for details.

CERTIFICATES & COMPLIANCE

Contact Derwent for full details

Dealer/Distributor

Europe/Africa/Middle East contact:
 Derwent Systems Ltd
 Tel: +44 (0) 1670 730187
 Email: sales@DerwentCCTV.com
 Web: www.DerwentCCTV.com

North & South America/Asia contact:
 Extreme CCTV
 Tel: + 1 604 420 7711
 Email: sales@ExtremeCCTV.com
 Web: www.ExtremeCCTV.com