

Key Features

- Turnkey solution for day/night long range PTZ night vision
- High-precision variable speed pan-tilt-zoom system controller
- Dual ZX700 IR illuminators provide 1000m (3,300ft) of **Recognition** level and 500m (1,650ft) of **Identification** level night vision performance
- Optional ZXLED IR Illuminators for medium range night vision
- 12.5mm to 750mm (60x) IR optimized motorized zoom lens equipped with doubler
- 32 Pan-Tilt-Zoom presets
- 3 programmable tours with 63 presets per tour
- High resolution FMX800 Extended-IR 1/2" LXR camera with mechanical filter technology
- High-resolution video for daytime color and night-time mono
- Active-infrared allows long range **Identification** and **Recognition** for critical security applications
- Rugged and weatherproof with cable-managed design
- Mains voltage input
- Integrated PTZ joystick keyboard controller supporting Pelco P

Product Description

The Global View Station 1000 (GVS1000) delivers long range day/night pan-tilt-zoom surveillance. Delivering 1km of **Recognition** level surveillance and 500m of **Identification** level surveillance in total darkness, the GVS1000 provides unmatched situation awareness capabilities for critical applications including Homeland Security, force protection and critical infrastructure.

Combining award-winning active-infrared illumination and a 60x IR-corrected zoom lens, the GVS1000 delivers absolute performance to resolve alphanumeric lettering in total darkness. The GVS1000 features uncompromised Pan-Tilt-Zoom capability including 32 high-accuracy presets, three programmable tours and a host of other PTZ functions. Variable, highly-precise speed control down to 0.1° tilt ensures that operators can accurately follow targets at long range, even in the pitch black of night.

For maximum simplicity and versatility, a single joystick keyboard controller supporting Pelco P protocol commands the entire system.

Night-Time Performance Range Chart (for optimal conditions)

Performance Level	Distance Range	Description
Classification	1,200m 3,900ft	Performance level of an image or video at which a target can be distinguished between human and animal. (ie: an upright human or animal on all fours).
Recognition	1000m 3,300ft	Performance level of an image or video at which a human target is determined to be a threat by the type of clothing and/or equipment being carried. (ie: friend or foe).
Identification	500m 1,650ft	Performance level of an image or video at which a human target can be identified as a specific individual. (ie: a specific person).

Product Image



The GVS1000 achieves 1km (3,300ft) of active-infrared PTZ night vision for **Recognition**. Shown above with optional ZXLED infrared illuminators for foreground illumination.

Applications

- Ports and harbours
- Critical infrastructure
- Defence
- Borders
- Airports
- Homeland Security
- Marine applications
- Fence lines
- Pipe lines
- Force protection

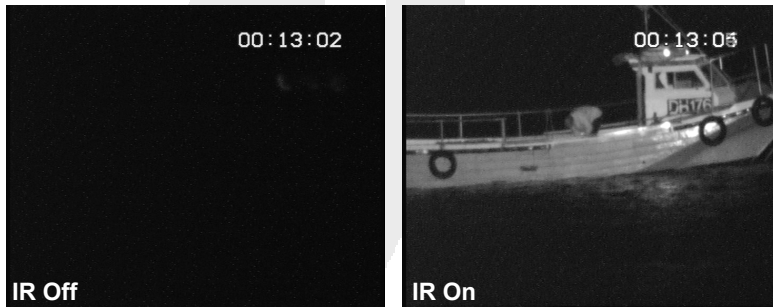
GVS1000 Performance Examples



Above: The GVS1000 provides outstanding color daytime imaging. The 12.5mm to 750mm lens delivers 60x zoom for **Recognition** and **Identification** capabilities. The position of the vessel can be seen as a point of light and is indicated by the red arrow in the image at top left. Zooming in reveals two people on the deck of the "BON AMY". Range ~ 1km.



Above: GVS1000 in night-time marine application. The above three images show target acquisition and interrogation in total darkness using infrared illumination. The zoomed image shows two people and the characters "H176" as identifying markings.



Left : Active-infrared enables effective night-time video in total darkness. The image at the far left (IR off) provides no information while the image at the near left (IR on) reveals critical details including "DH176".

Range ~ 750m



Wide Angle

Mid-zoom

Telephoto

Left: A demonstration of the powerful 60x zoom capability in GVS1000 at wide angle, mid-zoom and telephoto. The PTZ functions in GVS1000 are operated by a single controller.

Dealer / Distributor



Corporate Headquarters
Extreme CCTV Inc
TF: 1 888 409 2288
T: +1 604 420 7711
F: +1 604 420 3300
E: Sales@ExtremeCCTV.com
www.ExtremeCCTV.com



European Operation
Derwent Systems Ltd
A Division of Extreme CCTV (UK) Ltd
T: +44 (0) 1670 730 187
F: +44 (0) 1670 730 188
E: SalesUK@DerwentCCTV.com
www.DerwentCCTV.com

GVS1000 System Specifications (Special order models available on request)

ZX700 IR Illuminators	
Available Wavelengths	730nm
Beam Pattern	High-fidelity spot beam, 2.5°
Bulb Life	Average 2,000 hours
ZXLED IR Illuminators (Optional)	
Wavelength	850nm
Beam Pattern	20°
LED Array	560 LED Array
Optics Payload	
Camera Type	FMX800 Day-Night LXR Mechanical Filter Camera
TV System	NTSC or PAL
Image Sensor	1/2" Interline LXR
Resolution	500 TVL color / 540 TVL monochrome
Effective Pixels	NTSC: 811 (H) x 508 (V) PAL: 795 (H) x 596 (V)
S/N Ratio	Greater than 50dB
Gamma	0.45
Backlight Compensation	Auto detect on/off
Gain Control	AGC
Lens Type	IR-Corrected 60x Motor Zoom Lens
Focal Length	12.5mm to 750mm (25mm to 1500 with doubler)
Magnification	60x (120x with doubler)
Zoom Operation	Motor drive
Focus Operation	Motor drive
Iris Operation	Automatic
Angle of View - Wide	28.4° horizontal x 21.4° vertical
Angle of View - Telephoto	0.29° horizontal x 0.22° vertical (0.15° horizontal or 0.11° vertical)
Focusing Range	5 meters in front of lens to infinity
Wiper	Micro switch self parking wiper with blade toggle action (keyboard controlled)
Pan / Tilt Motor	
Pan Range	±215°
Tilt Range	±90°
Pan Speed	0.3° to 8° per second
Tilt Speed	0.1° to 4.5° per second
Repeatability	0.25°
Motor Type	Permanent magnet
Drive Train	Steel gear and worm, ball and tapered roller bearing
Limit Switches	Internally adjustable "hard limits", electronically adjustable "soft limits"
Backlash	Adjustable
System Mechanical Specs	
Construction	All-weather aluminum construction with stainless steel fastenings
Environmental	Sealed to IP66
Cable Management	Included
Operational Temperature	-20°C to +50°C (-4°F to 122°F)
Dimensions	41.1" (L) x 29.5" (W) x 28.7" 1044mm (L) x 750mm (W) x 729mm (H)
Weight (excluding PSU)	92lbs (42kg) 110lbs (50kg) with optional ZXLED illuminators
System Mount	4" PCD
System Control	
Control	Integrated variable speed pan / tilt / zoom with joystick keyboard controller
Protocol	Pelco P
Presets	32 pan / tilt / zoom presets
Tours	3 pan / tilt / zoom tours with 63 presets per tour
Power Requirements	500W 800W with optional ZXLED illuminators
Input Voltage	120 VAC or 230 VAC, 50/60 Hz

Dealer / Distributor

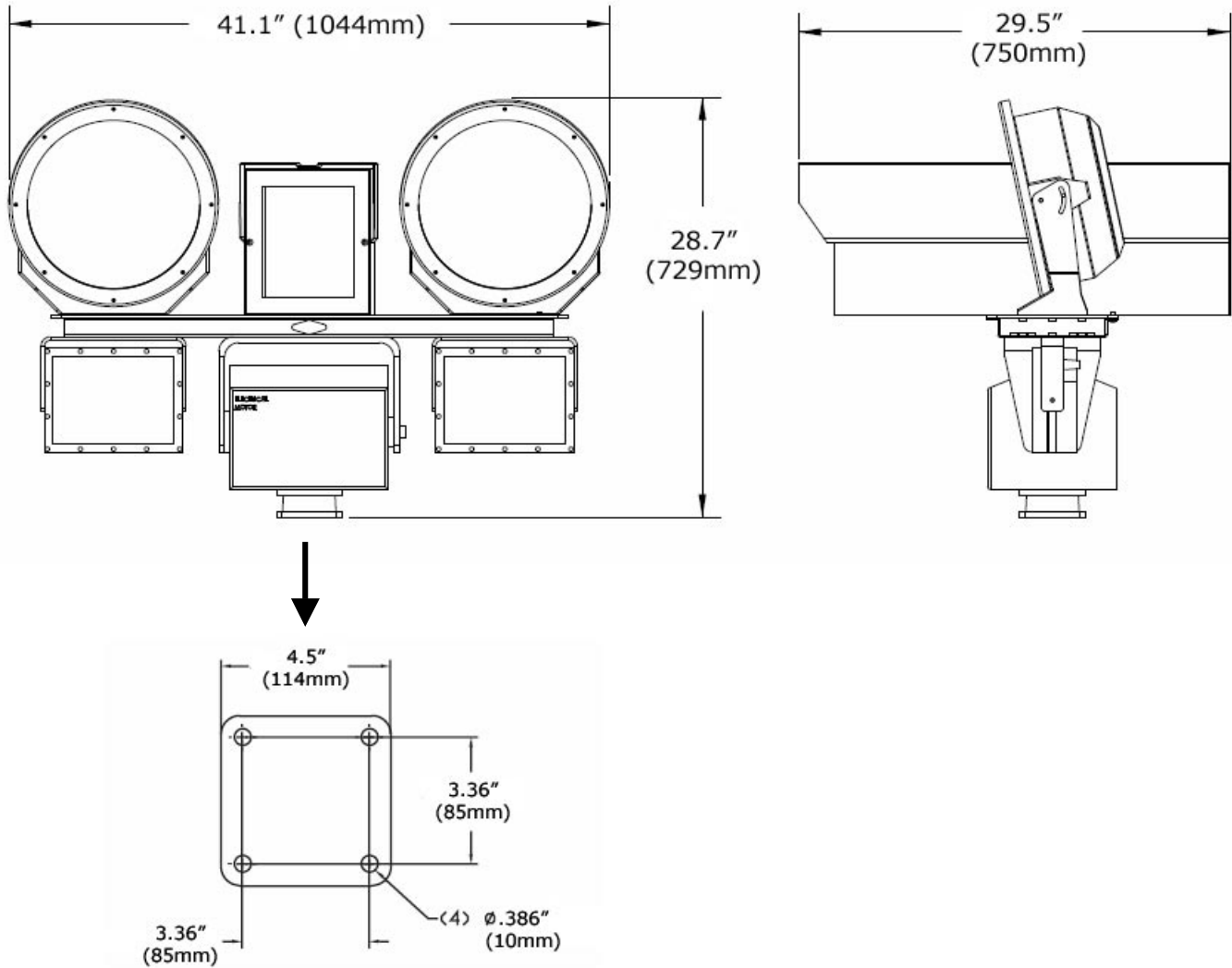


Corporate Headquarters
Extreme CCTV Inc
 TF: 1 888 409 2288
 T: +1 604 420 7711
 F: +1 604 420 3300
 E: Sales@ExtremeCCTV.com
 www.ExtremeCCTV.com



European Operation
Derwent Systems Ltd
 A Division of Extreme CCTV (UK) Ltd
 T: +44 (0) 1670 730 187
 F: +44 (0) 1670 730 188
 E: SalesUK@DerwentCCTV.com
 www.DerwentCCTV.com

GVS1000 Technical Drawings (shown below with optional ZXLED Infrared Illuminators)



GVS1000 Ordering Information

The GVS1000 is available with or without optional ZXLED Infrared Illuminators. PAL, NTSC, 120VAC and 230VAC configurations are available.

Please contact Extreme CCTV for full ordering details.

Dealer / Distributor



Corporate Headquarters
Extreme CCTV Inc
TF: 1 888 409 2288
T: +1 604 420 7711
F: +1 604 420 3300
E: Sales@ExtremeCCTV.com
www.ExtremeCCTV.com



European Operation
Derwent Systems Ltd
A Division of Extreme CCTV (UK) Ltd
T: +44 (0) 1670 730 187
F: +44 (0) 1670 730 188
E: SalesUK@DerwentCCTV.com
www.DerwentCCTV.com