

Key Features

- High output to 200+ meters (dual lamp, 10° beam)
- Range of beam patterns from spot to wide angle
- Range of filters from 730 nm to covert 950 nm
- Low operating cost, using less power
- Balanced illumination – no foreground overexposure
- Rugged and weatherproof
- Long bulb life at 3,000 hours
- Low operating voltage at 28.6 VAC
- Extends the dynamic range of CCD cameras in night time conditions

Product Description

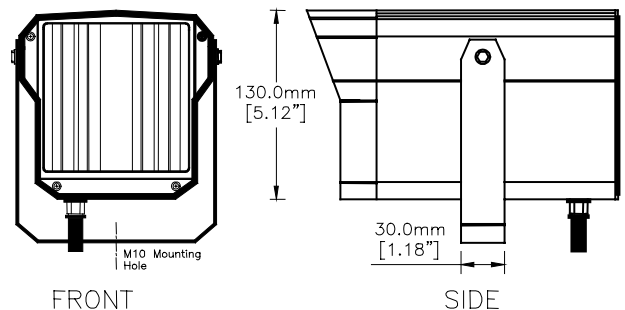
The UF500 series of illuminators for CCTV applications is specially designed for covert or semi-covert operations using special gold optics and high efficiency quartz halogen bulbs for **unsurpassed night viewing up to 650 ft.** (with dual 10°, 730 nm lamps. The unique cosec² lens reverses the inverse square law to provide evenly distributed illumination from the foreground to background for the entire scene. The shorter and thicker bulb filaments operating at lower voltages and temperatures are less vulnerable to shock and vibration. The result of these features is a high-performance illuminator with 40% higher efficiency and 50% longer life than traditional illuminators.

The U.S. Patented UF500 by Extreme CCTV, is the favored illuminator in the UK where night-time video monitoring is broadly utilized for proactive policing.

Applications

- Night-time surveillance where normal lighting is too expensive or prohibited
- Covert surveillance in a wide range of outdoor conditions
- Prison properties
- School ground properties
- Airport grounds where visible lighting is prohibited
- Police surveillance to streets and buildings
- Enhancement to motorized pan-tilt-zoom cameras for low-light and backlight conditions

Product Image



Certifications / Compliance

CSA Std C22.2 (No 0-M1991)	General Requirements
CSA Std C22.2 (No 0.4-M1982)	Bonding & Grndg of Elec Equip
CSA Std C22.2 (No 66-1988)	Specialty Transformers
CSA Std C22.2 (No 205-M1983)	Signal Equipment
CSA Std C22.2 (No 91-M91)	Special Purpose Enclosure
CSA Std C22.2 (No 250-00)	Luminaires
UL Std No 506	Transformers, Specialty
UL Std No 50	Enclosures for Elec Equip
UL Std No 1598	Luminaires



Example Dual Lamp Configuration:

1. Two (2) UF500.203 IR Illuminator 830 nm / 10°
2. UF500.003 Dual Lamp Power Supply
3. EXMB.010 Dual Arm Mounting Bracket
4. Weatherproof Housing
5. Pan-Tilt Motor
6. Extreme CCTV Extended IR FSX800 Camera

Dealer / Distributor



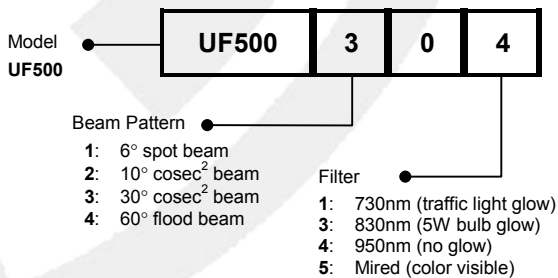
Corporate Headquarters
Extreme CCTV Inc
TF: 1 888 409 2288
T: +1 604 420 7711
F: +1 604 420 3300
E: Sales@ExtremeCCTV.com
www.ExtremeCCTV.com



European Operations
Derwent Systems Ltd
A Division of Extreme CCTV (UK) Ltd
T: +44 (0) 1670 730 187
F: +44 (0) 1670 730 188
E: SalesUK@DerwentCCTV.com
www.DerwentCCTV.com

Specifications
(Other Special Order Models available on request)

UF500 Infrared Illuminator	
Illuminator	
Radiated Output	Similar to ordinary 500 W
Viewing Range	Various models to match camera specs
Optics	Optimised focus, gold optics system
Available Wavelengths	730nm, 830nm, 950nm
Beam Pattern	6° spot beam, 10° cosec ² beam, 30° cosec ² beam, 60° flood beam
Bulb Life	Average 3,000 hours
Power Consumption	170 W (28.6 VAC, 5.8A) Max
Color	Black (standard)
Construction	Robust aluminum casting / extrusion
Weight	4.0 kg (8.8 lbs) per illuminator
Temperature	-30°C to 50°C (-22°F to 122°F)
Power Supply	
Input	120 VAC 60 Hz (1.6A), 240 VAC 50 Hz (3.2A)
Output	28.6 VAC nominal Single lamp system 177VA, 6.2A draw Dual lamp system 354VA, 12.4 A draw
Remote Control	On/Off volt-free contact switching
Auxiliary Output	12 VDC, 650mA - regulated for camera
Photocell	Day / night automatic switching with adjustable sensitivity
Weight	Single 7.48 lbs (3.4 kg) Dual 10.12 lbs (4.6 kg)
Dimension	250mm x 160mm x 90mm 9.8" x 6.3" x 3.5"

Part Numbers

Optional Accessories

- [EXMB.010](#) Dual arm bracket for standard pan/tilt heads
- [EXMB.015](#) Pole Mount Adaptor
- [EXMB.020](#) Versatile L-bracket
- UF500.010** Replacement bulb kit
- UF500.001** PSU, 120 VAC, 60 Hz, single lamp
- UF500.003** PSU, 120 VAC, 60 Hz, dual lamp



Under "even" illumination, the vehicle, the buildings and the bush in the background are all clearly seen despite the apparent darkness.

Dealer / Distributor



Corporate Headquarters
Extreme CCTV Inc
 TF: 1 888 409 2288
 T: +1 604 420 7711
 F: +1 604 420 3300
 E: Sales@ExtremeCCTV.com
 www.ExtremeCCTV.com



European Operations
Derwent Systems Ltd
 A Division of Extreme CCTV (UK) Ltd
 T: +44 (0) 1670 730 187
 F: +44 (0) 1670 730 188
 E: SalesUK@DerwentCCTV.com
 www.DerwentCCTV.com