

Key Features

- Compact, attractive design
- High output illumination to 330 ft. (100m)
- Range of beam patterns: Narrow, Medium, Wide
- Range of filters from 730 nm to covert 950 nm
- Long Life – 8,000 hours
- Low Operating Cost
- 12.6 VAC & VDC operation standard
- Ideal for integration with Extreme CCTV EX26 and EX27 cameras
- Low operating cost, using less power
- Rugged and weatherproof
- Extends the dynamic range of CCD cameras in night time conditions
- Various power supplies in 120 VAC, 240 VAC, 24 VAC

Product Description

The UF100 series of infrared illuminators is a small, low-voltage version of the well-known UF500. It is specially designed for covert or semi-covert operations using high efficiency quartz halogen bulbs and uniquely cut lenses to match the field of views of surveillance cameras.

The industrial designed housing is compact, attractive and waterproof. Constructed of extruded and cast aluminum components, the housing also acts as a heat sink for efficient operation at low input voltages of 12 Volts DC or AC.

Despite low voltages and small size, the UF100 has remarkable infrared performance, low operating cost and a long life of 8,000 hours.

A variety of lenses and filters make the UF100 a versatile infrared illuminator for security specifiers who need to design night-time CCTV surveillance at high levels of performance in and around buildings. As a 12 volt illuminator, the UF100 is also suitable for mobile investigative surveillance.

Product Image

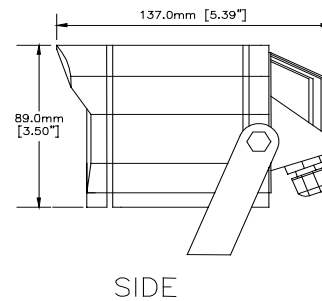
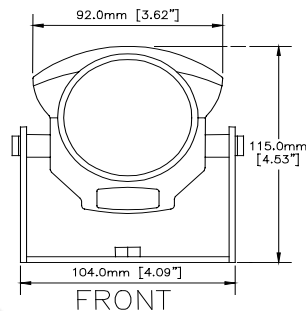


Applications

- Night-time surveillance where normal lighting is too expensive or prohibited
- Covert surveillance in a wide range of outdoor conditions
- Commercial building properties
- School ground properties
- Airport grounds where visible lighting is prohibited
- Police surveillance to streets and buildings
- Mobile 12 volt surveillance
- Architectural residential surveillance

Certifications / Compliance

CSA Std C22.2 (No 0-M1991)	General Requirements
CSA Std C22.2 (No 0.4-M1982)	Bonding & Grndg of Elec Equip
CSA Std C22.2 (No 66-1988)	Specialty Transformers
CSA Std C22.2 (No 205-M1983)	Signal Equipment
CSA Std C22.2 (No 91-M91)	Special Purpose Enclosure
CSA Std C22.2 (No 250-00)	Luminaires
UL Std No 506	Transformers, Specialty
UL Std No 50	Enclosures for Elec Equip
UL Std No 1598	Luminaires

Technical Drawings

Specifications

UF100 Infrared Illuminator		
Illuminator		
Viewing Range	66 ft to 164 ft 20 m to 50 m	
Optics	Optimised focus optical system	
Available Wavelength	730nm, 830nm, 950nm	
Beam Pattern	10° narrow beam, 30° medium beam, 60° wide beam	
Power Consumption	5.6A @ 12.6V typical	
Color	Black (standard)	
Construction	Robust aluminum casting / extrusion	
Weight	1.8 lbs 0.8 kg	
Temperature	- 30°C to 50°C -22°F to 122°F	
Power Supply	UFPS.101	UFPS.102
Main Supply	115 V – 125 V, 60 Hz	
Output	Nominal 12.6 VAC, 5.6 Amp	
Photocell	Dusk / dawn auto switching, sensitivity adjustable	
Remote Control	Volt Free Contacts for remote switching by telemetry	
Enclosure	NEMA 4	
Temperature	-30°C to 50°C -22°F to 122°F	
Type	Single	Twin
Weight	3.5 lbs 1.6 kg	6.6 lbs 3.0 kg
Dimension	120mm x 200mm x 75mm 4.7" x 7.9" x 3.0"	140mm x 230mm x 96mm 5.5" x 9.1" x 3.8"

Dealer / Distributor

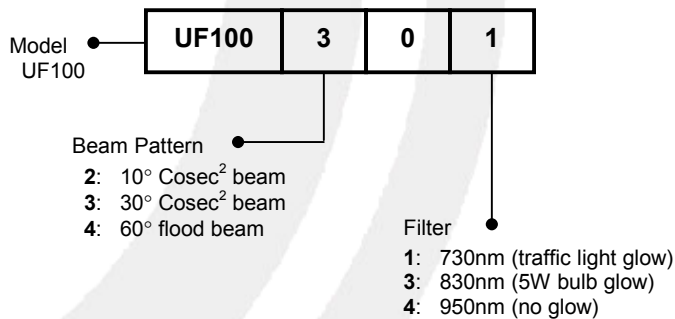

 Corporate Headquarters
Extreme CCTV Inc
 TF: 1 888 409 2288
 T: +1 604 420 7711
 F: +1 604 420 3300
 E: Sales@ExtremeCCTV.com
 www.ExtremeCCTV.com

 European Operations
Derwent Systems Ltd
 A Division of Extreme CCTV (UK) Ltd
 T: +44 (0) 1670 730 187
 F: +44 (0) 1670 730 188
 E: SalesUK@DerwentCCTV.com
 www.DerwentCCTV.com

Performance Notes:

The following figures represent tested IR illumination distances for a 20dB image, using a 1/2" LXR camera and an F1.4 lens as determined by Derwent Systems Ltd. of the United Kingdom. Actual in-field distances will depend on several factors, including the infrared sensitivity of the camera and lens.

Model	Part Number (excluding PSU)	Illumination Distance
730nm 10°	UF100.201	100m 330ft
730nm 30°	UF100.301	60m 195ft
730nm 60°	UF100.401	40m 130ft
830nm 10°	UF100.203	60m 195ft
830nm 30°	UF100.303	35m 115ft
830nm 60°	UF100.403	23m 77ft
950nm 10°	UF100.204	35m 115ft
950nm 30°	UF100.304	21m 68ft
950nm 60°	UF100.404	14m 45ft

Part Number

Optional Accessories

- [EXMB.020](#) Versatile L-Bracket camera adaptor
- [EXMB.026](#) Wall Bracket for UF100
- [EXMB.011](#) Twin Lamp Adaptor for the UF100
- [UFPS.124](#) 24 VAC – 12.6 Volt AC Transformer

Dealer / Distributor



Corporate Headquarters
Extreme CCTV Inc
 TF: 1 888 409 2288
 T: +1 604 420 7711
 F: +1 604 420 3300
 E: Sales@ExtremeCCTV.com
 www.ExtremeCCTV.com



European Operations
Derwent Systems Ltd
 A Division of Extreme CCTV (UK) Ltd
 T: +44 (0) 1670 730 187
 F: +44 (0) 1670 730 188
 E: SalesUK@DerwentCCTV.com
 www.DerwentCCTV.com