

# STANDARD VANDAL RESISTANT HOUSINGS - AMS180/AMS90



**AMS180**  
Wall housing



**AMS90**  
Corner housing

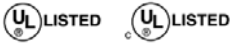
## DESCRIPTION

These are heavy-duty, all-steel housings. The AMS180 is for wall or ceiling installations and the AMS90 is a corner mount. Designed to house a solid-state camera and lens, the steel construction provides maximum protection for the equipment. They are both for indoor applications and, with an optional heater, protected outdoor sites.

## FEATURES

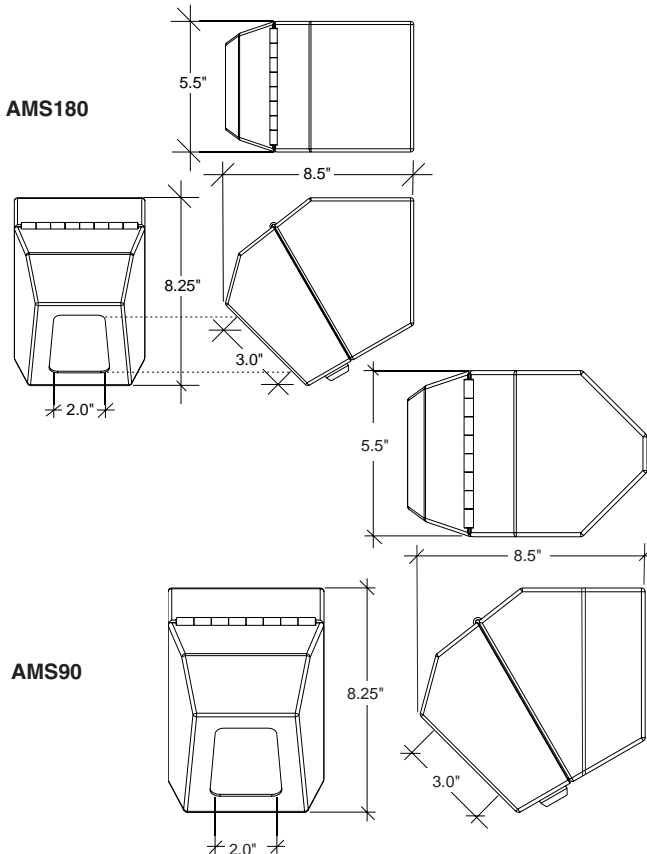
- 14-gauge cold-rolled steel construction with welded seams
- Mounting hardware fully contained inside to prevent tampering
- .220" thick clear Lexan® viewing window (with no light reduction) for increased protection against vandalism
- Easy-to-replace Window Guard™ paint shield allows vandalized viewing window to be quickly and economically restored to clarity
- Can be mounted with top against ceiling, while still permitting hinged lid to open for full access to inside of unit
- Complete with adjustable camera bracket and high-security barrel lock
- An off-white, powder coat finish, which offers excellent resistance to corrosion
- Ideal for applications where housing may be subject to abuse

## CERTIFICATIONS



## ARCHITECTURAL/ENGINEERING SPECIFICATIONS

The maximum security AMS180 and AMS90 shall measure 8.25" h X 5.5" w X 8.5" d. It shall be constructed of 14-gauge, cold-rolled steel and finished in an off-white powder coat. A 2" w X 3" h opening for viewing shall be covered by a .22" thick, clear, high-impact Lexan® viewing window with no light reduction. An easy-to-replace Window Guard™ paint shield shall allow clarity of viewing window to be quickly and economically restored in case of vandalism. The hinged lid shall open fully, even when unit is mounted with top in contact with ceiling. The unit shall come with an adjustable camera bracket and barrel/cam lock. An optional 24 VAC heater shall allow unit to be used in protected outdoor applications.



Videolarm's exclusive Window Guard Paint Shield™ helps protect housing windows from vandals using spray paint or paintball guns.

## MODELS

**AMS180** - 14-gauge steel housing for wall or ceiling with barrel/cam lock, clear Lexan® window, and Window Guard™ paint shields.

**AMS90** - 14-gauge steel housing for corner mount with barrel/cam lock, clear Lexan® window, and Window Guard™ paint shields.

## OPTIONS/ACCESSORIES

**HTK24** - 24 VAC heater kit, 1.5 Amp transformer recommended

**AMSWG** - Window Guard™ paint shields replacements, 5 pack

**NOTE:** The viewing angle for the camera can be adjusted between 30° and 60° vertically with 8" cameras. Smaller cameras will offer more adjustment. No horizontal adjustment is available.

## SHIPPING SPECIFICATIONS

Model	Unit Weight	Shipping Weight	Shipping Box Dim.
AMS180	8 lbs	8 Grd/8 Air	12 x 10 x 7
AMS90	7 lbs	7 Grd/7 Air	12 x 10 x 7

\* Shipping weights depend on box dimensions.