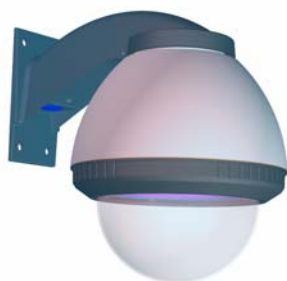


STANDARD DOMES - FDW7



DESCRIPTION

The FDW7 indoor/outdoor 7" dome offers versatility and camera protection in a compact size. It accepts unitized cameras, network cameras, and fixed cameras with a maximum camera length of 5.5". A heater and blower are available for outdoor applications, plus a cold weather kit is available to offer wider temperature ranges.

CERTIFICATIONS

- Designed to meet NEMA 4X for water ingress and IP56
- Pendant mount version tested for IP66
- Patent Pending

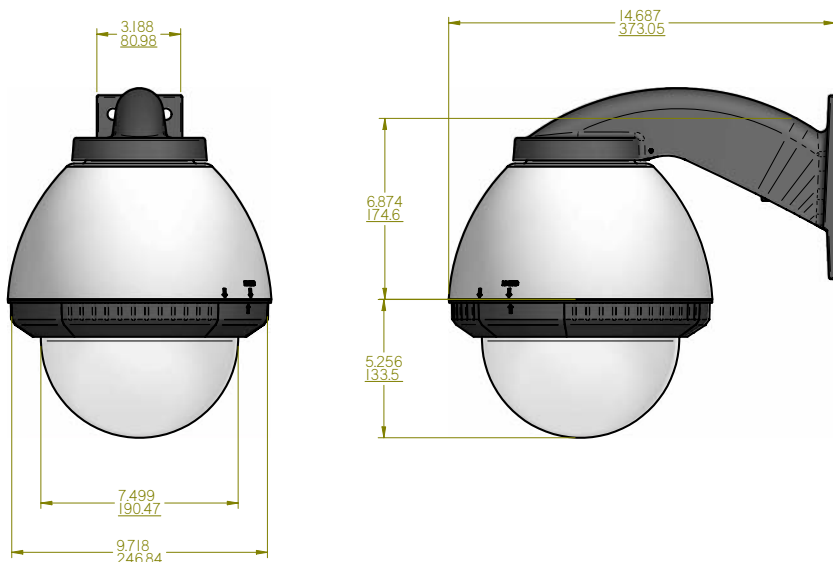


FEATURES

- Durable engineered plastic top, 94V0
- UV protected
- Standard wall mount, pendant mount available
- Accepts many manufacturer's unitized camera systems
- Accepts one fixed camera (5.5" MCL)
- Heater/blower optional

ARCHITECTURAL/ENGINEERING SPECIFICATIONS

The FDW7 housing shall be an indoor/outdoor housing available in either wall or pendant mounted versions. The FDW7 shall be designed to accommodate unitized cameras, network cameras, and fixed cameras with a maximum camera length of 5.5". Outdoor enclosures shall also be equipped with blowers and thermostatically controlled heaters, allowing a temperature range of -20° F to +120° F. Units will be available with 24 VAC inputs. The housing shall be manufactured from a high-impact engineered plastic, UV protected, with a UL flame rating of 94V0. The dome shall be made of a thermoformed, optically clear, polycarbonate material, and shall be held in place with (1) fastener, and a sealing O-ring shall be included. A safety cable shall be provided to hold the dome while servicing. Access to the enclosure shall be from below.



ENVIRONMENTAL SPECIFICATIONS

Operating Temperature:
 Standard -20° F to + 120° F
 With Optional Cold Weather Kit -40° F to + 120° F
 Heater activates at +40° F (+/- 8°), deactivates at +60° (+/- 5°)
 Operating Humidity: Up to 100%

MECHANICAL SPECIFICATIONS

Size (h x w x d): 10" x 10" x 14.7"
 Weight: 7 lbs
 Construction:
 Top: .125" engineered plastic
 Dome: Polycarbonate
 Wall Mount Bracket: Cast aluminum wall bracket standard.

ELECTRICAL SPECIFICATIONS

Standard 24 VAC 27 watts (excluding camera)

SHIPPING SPECIFICATIONS

Model	Unit Weight	Shipping Weight	Shipping Box Dim.
FDW7	Call Videolarm for specific information		

* Shipping weights depend on box dimensions.