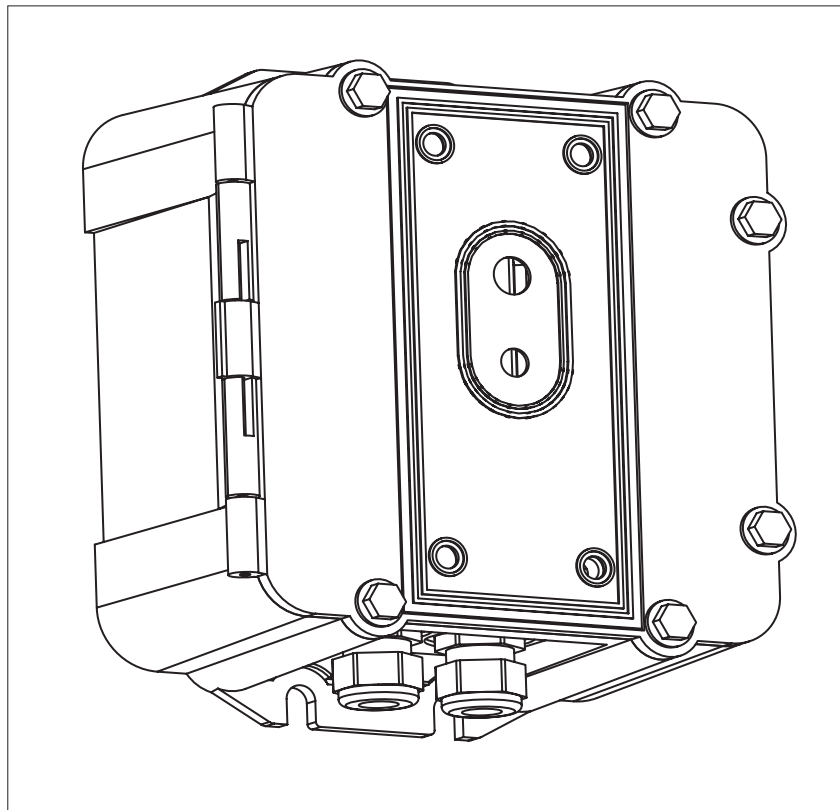


Product Instructions

Power Box

PB24



Videolarm®

Before attempting to connect or operate this product,
please read these instructions completely.

81-IN5366
04/28/06

IMPORTANT SAFEGUARDS

1. **Read Instructions** - All the safety and operating instructions should be read before the unit is operated.
2. **Retain Instructions** - The safety and operating instructions should be retained for future reference.
3. **Heed Warnings** - All warnings on the unit and in the operating instructions should be adhered to.
4. **Follow Instructions** - All operating and user instructions should be followed.
5. **Electrical Connections** - Only a qualified electrician should make electrical connections.
6. **Attachments** - Do not use attachments not recommended by the product manufacturer as they may cause hazards.
7. **Cable Runs** - All cable runs must be within permissible distance.
8. **Mounting** - This unit must be properly and securely mounted to a supporting structure capable of sustaining the weight of the unit. Accordingly:
 - a. The installation should be made by a qualified installer.
 - b. The installation should be in compliance with local codes.
 - c. Care should be exercised to select suitable hardware to install the unit, taking into account both the composition of the mounting surface and the weight of the unit. Be sure to periodically examine the unit and the supporting structure to make sure that the integrity of the installation is intact. Failure to comply with the foregoing could result in the unit separating from the support structure and falling, with resultant damages or injury to anyone or anything struck by the falling unit.

WARRANTY INFORMATION

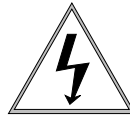
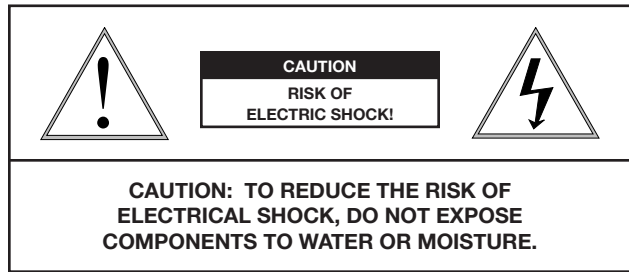
Videolarm, Incorporated warrants that products sold hereunder shall be fit for the ordinary purpose for which said products are intended and shall be free from defects in material and workmanship for a period of two years from date of sale to buyer. Videolarm makes no other warranty of any kind with respect to this product, whether expressed or implied, including, without limitation, the implied warranty of fitness for a particular purpose.

In the event of a breach of the above warranty, Videolarm shall, at its option, repair or replace said product. This is Videolarm's sole obligation under this warranty. In no event shall Videolarm be liable for any incidental or consequential damages, as defined in section 2-715 of the Uniform Commercial Code by a breach of this warranty.

Videolarm shall repair or replace defective products upon shipment of products prepaid to Videolarm, Inc., 2525 Park Central Blvd., Decatur, GA 30035.

Repairs made necessary by reason of accident, misuse or normal wear shall be charged at Videolarm's standard rate. This warranty gives you specific legal rights, and you may also have other rights which vary from state to state.

SAFETY PRECAUTIONS



The lightning flash with an arrowhead symbol, within an equilateral triangle, is intended to alert the user to the presence of non-insulated "dangerous voltage" within the product's enclosure that may be of sufficient magnitude to constitute a risk of electric shock to persons.



The exclamation point within an equilateral triangle is intended to alert the user to presence of important operating and maintenance (servicing) instructions in the literature accompanying the appliance.

UNPACKING

Unpack carefully. Electronic components can be damaged if improperly handled or dropped. If an item appears to have been damaged in shipment, replace it properly in its carton and notify the shipper.

Be sure to save:

1. The shipping carton and packaging material. They are the safest material in which to make future shipments of the equipment.
2. These Installation and Operating Instructions.

SERVICE

If the unit ever needs repair service, the customer should contact Videolarm (1-800-554-1124) for authorization to return and shipping instructions.

TECHNICAL SUPPORT

If technical support is needed, Videolarm has set-up a 24 hour technical support line for their customers.

24 HOUR TECHNICAL SUPPORT

1-800-554-1124

PB24 Power Box

DESCRIPTION

The PB24 is a Power Supply and Option Box for Videolarm's Fusion Dome and Rugged Housing Series for product. The Power Box provides –connections for 120 or 240Vac inputs, with 24Vac output power for the housings. The Power Pox also provides space and a mounting bracket for other options required with many camera installations.

ELECTRICAL SPECIFICATIONS:

Input Power: 120Vac or 240Vac 50/60 Hz
Power Consumption: 1Amp (120watts) at 120Vac
Power Output: 84VA at 24Vac
52watts Heater/Blower
32watts Camera Power

GENERAL INSTRUCTIONS:

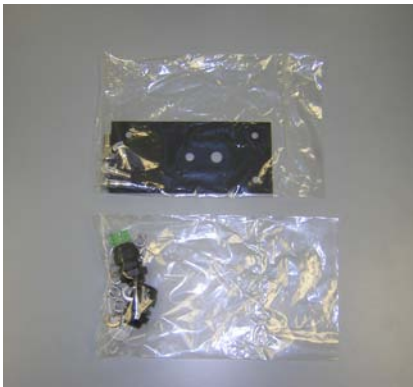
Tools Required (minimum)

.150" Flathead Screwdriver
7/16" wrench or socket
9/16" wrench or socket



Be sure that the PB24 is mounting properly and securely to a supporting structure that is capable of rigidly holding the weight of the entire assembly.

Included with the PB24 are the following items:



Wall Mounting:

A template is provided in the back of the instruction with the 2 x 8 bolt pattern required for the mounting of this product. Hardware is not provided for mounting this unit to the wall.

Pole Mounting:

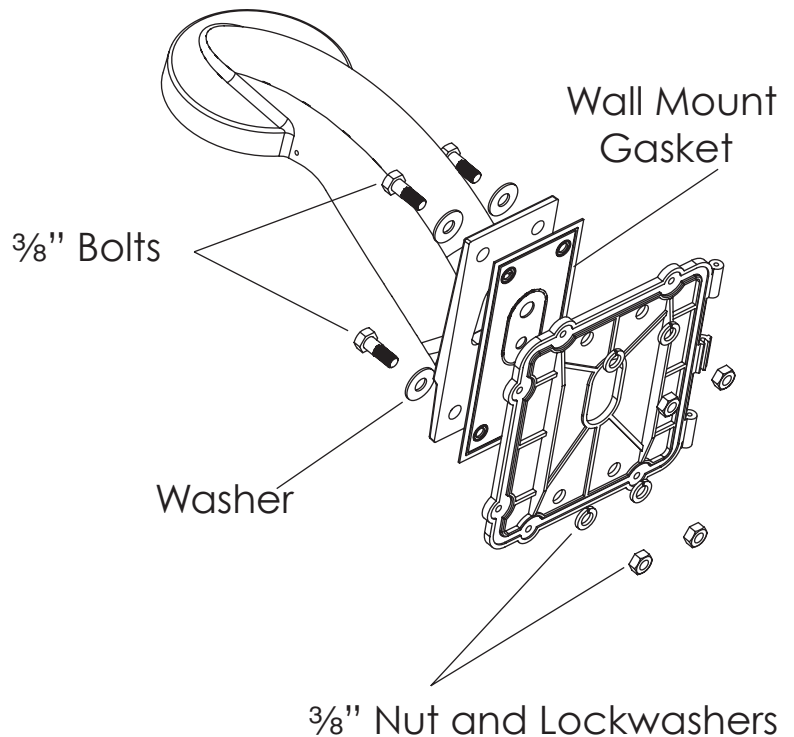
Optional pole mount brackets are available for the PB24. Pole adapter Part Number is PBAP3. Mounting Instructions are provided with this product.

Connecting Housing to PB24:

Open the packet assembly that is provided with each unit. Special 3/8" bolts are provided and designed to mount either the WM20G or the WM10 (Standard Fusion Dome and Rugged Housing wall mount bracket) to the Power Box. Attach the wall mount bracket and housing as shown below. Push the cable assembly connectors through either of the (2) holes provided.

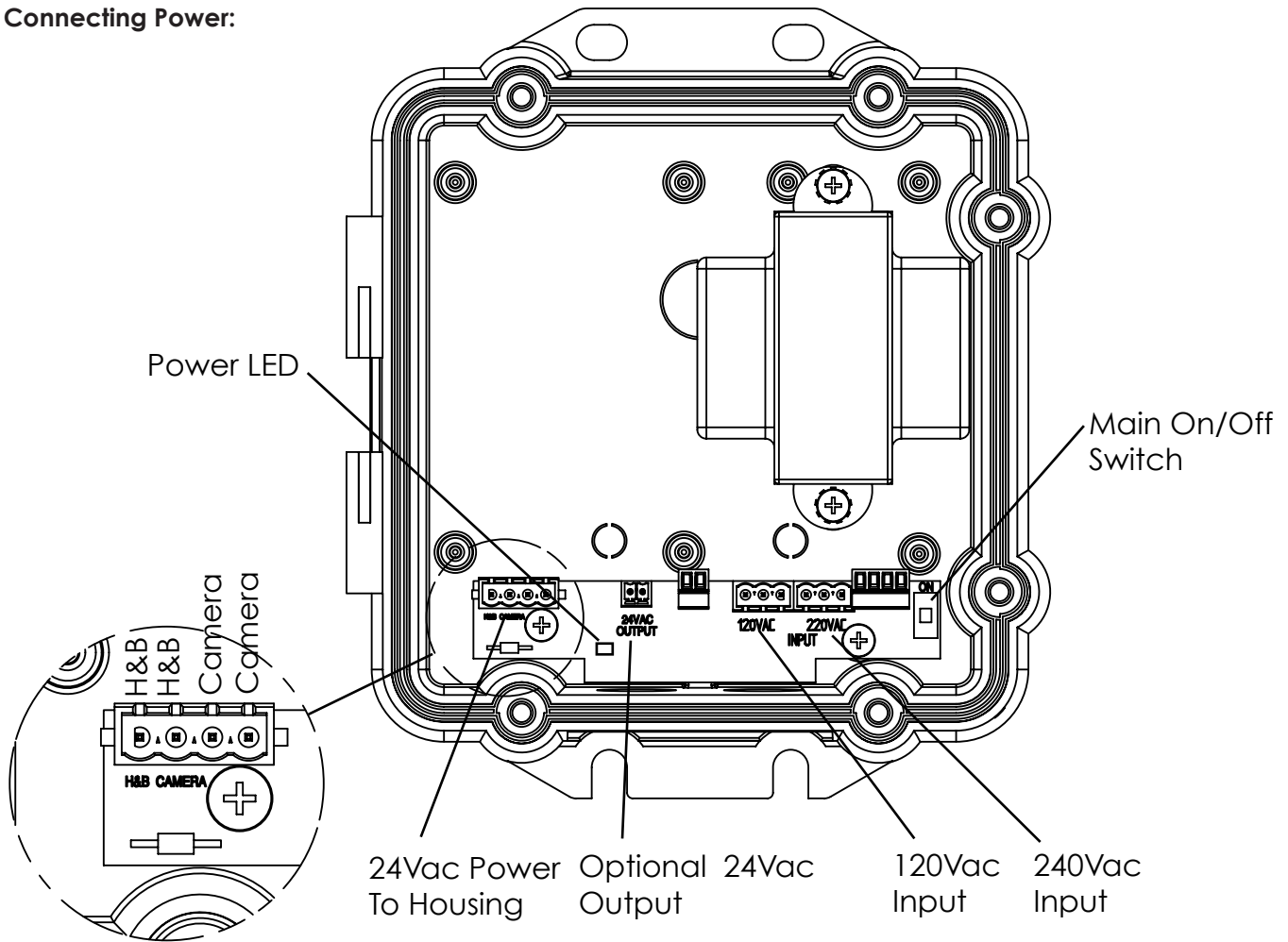


IMPORTANT! Unit will not seal properly unless installed as shown. Do not attempt to use power box without installing wall mount gasket.



NOTE: Housing and complete Power Box not shown for clarity only.

Connecting Power:



Input: (120Vac or 240Vac)

The Power Box provides 2 separate power output(s) at 24V. The Power Box is designed for either 120 or 240Vac input single phase. A single (3) position connector is provided with each unit. Line, Neutral and Ground Wires should be connected as marked on the connection board (L, N, GND) and plugged in to the connector plug of the corresponding voltage. 52watts are provided for Heater/ Blower power and 32watts are provided for camera power.

Output: (24Vac)



NOTE: Internal re-settable fuses are supplied for the main 24Vac output lines. Fuse protection is higher for accessory power. Do not connect heater and blowers to camera power output (marked Camera) on Connection pcb.



NOTE: 3 PHASE SYSTEMS

The PB24 is **NOT** designed for 3 Phase or 208V systems. If a three-phase or 208V system is in place, use volt meter to select one phase 120Vac LEG and connect to the 120Vac connection.



Connect Housing Power

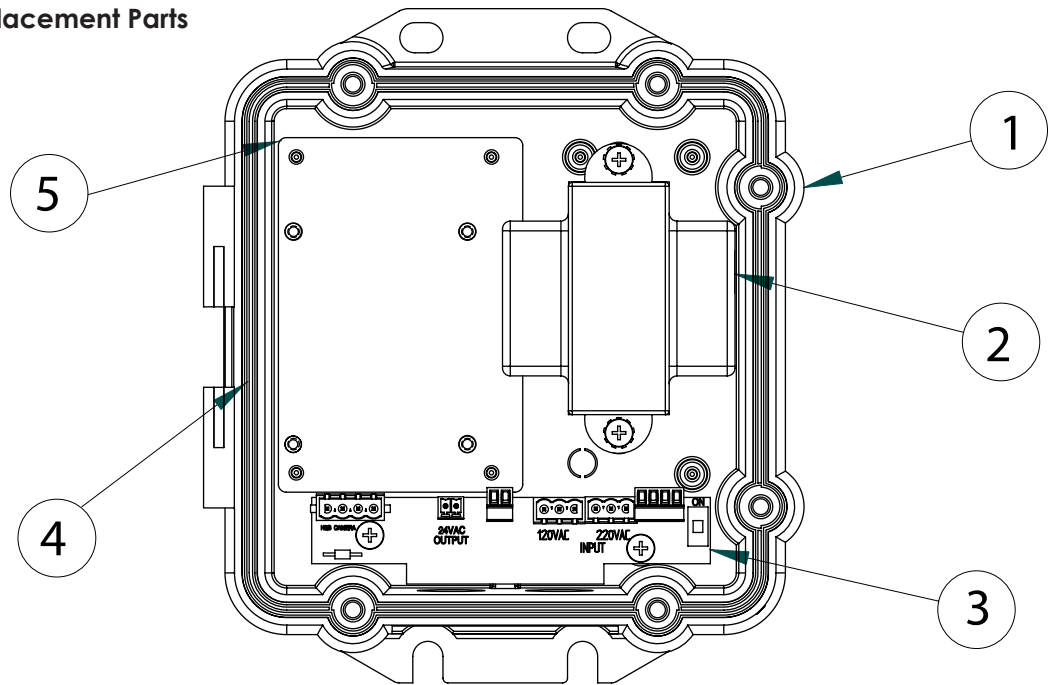
NOTE: Connections are not provided on the base unit for Video, Ethernet or control.

Finishing the Installation:

Once all wiring connections are completed; turn power the PB24 on and move power switch to on position to ON position. Power LED on the connection pcb should turn on.

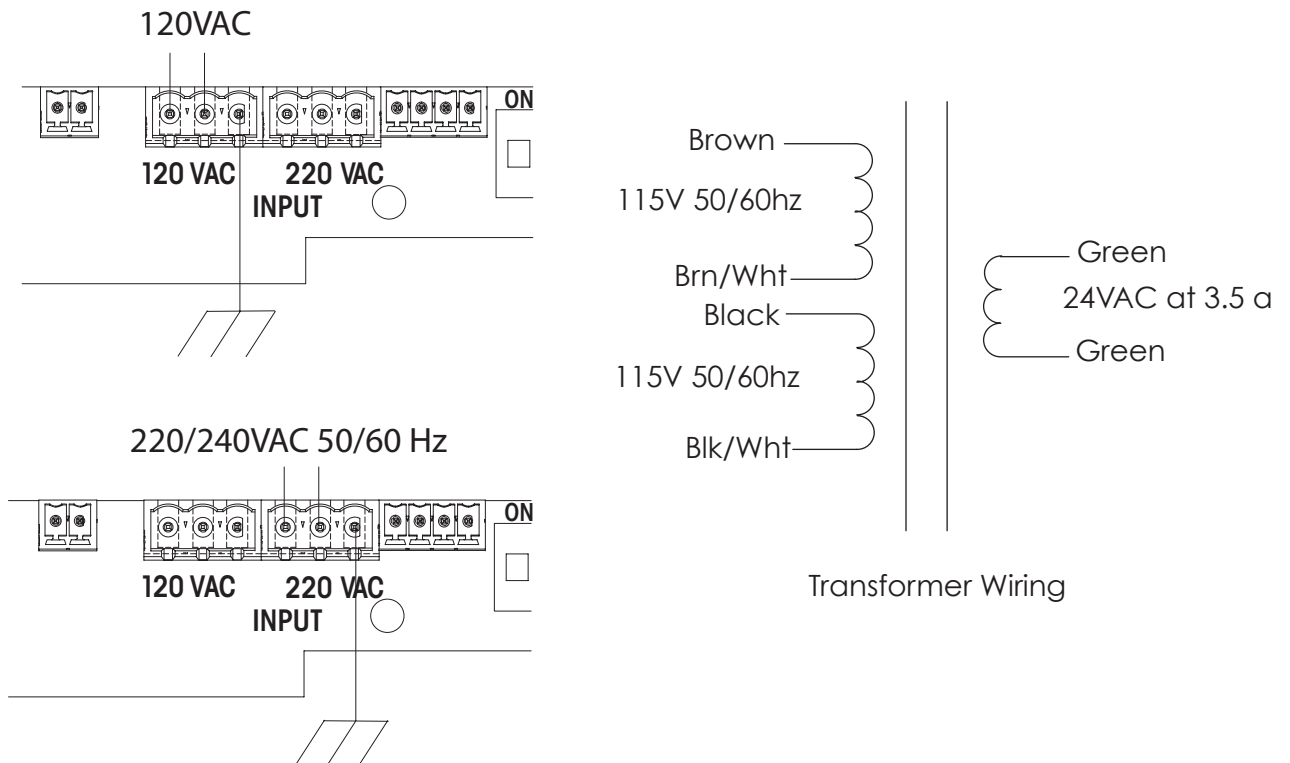
Before closing the door on the PB24 check the main gasket around the lip of the power box and be sure it is positioned within the groove provided. Close unit and secure with (6) captive bolts provided. If needed (2) security screws are provided to lock and prevent tapering with internal components of the box. To install, remove (2) of the existing bolts and replace with (2) tamperproof security screws provided in the housing packet. Tighten with security wrench provided.

Exploded View for Replacement Parts

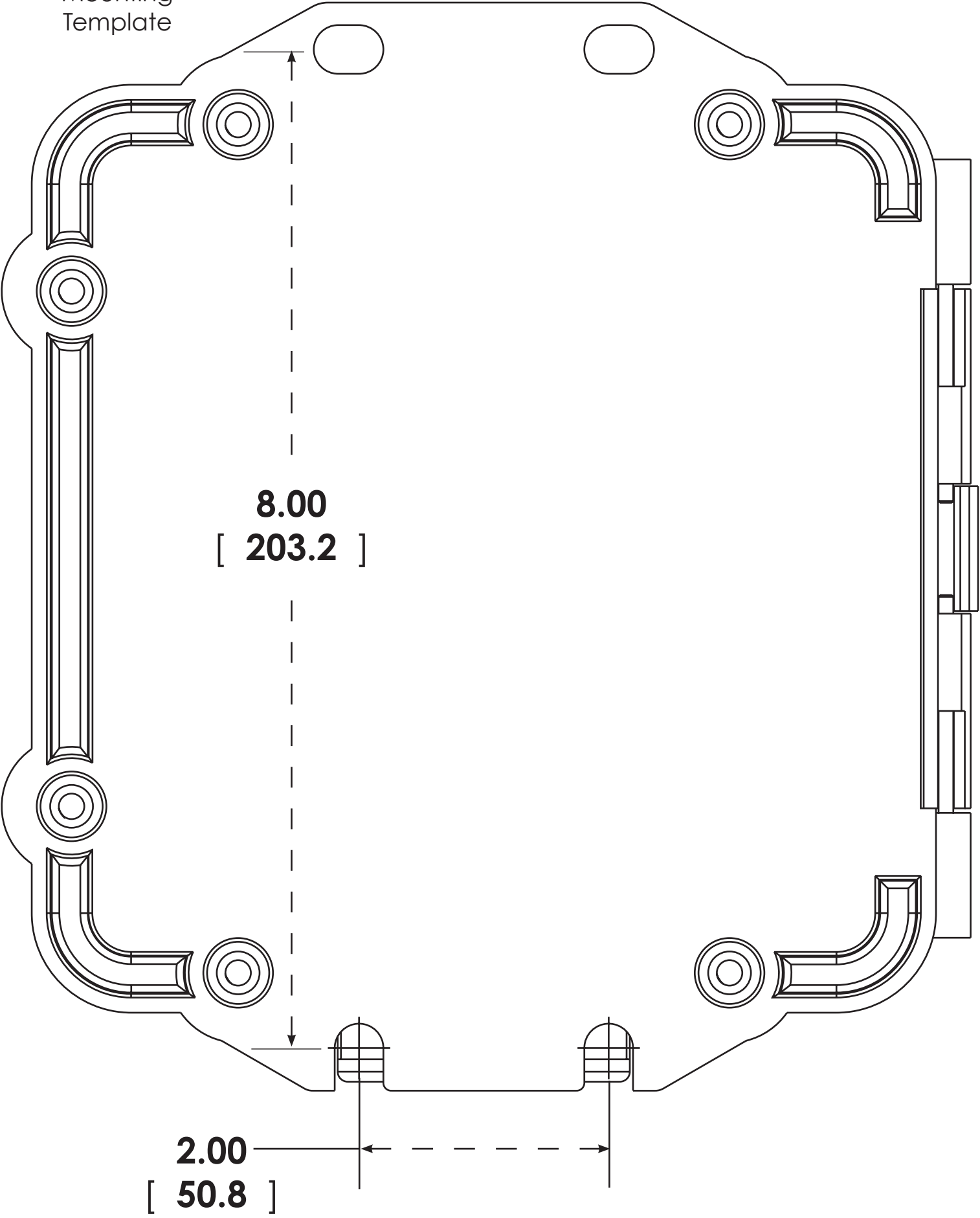


Replacement Parts List

Part Number	Description
1	RP4OHGPB1000 Main Box Assembly (including cover)
2	RP7OTRAN03 Transformer
3	RP76PCBPB01 Connection PCB
4	RP96GK2680 Door Gasket
5	RPVL2781 Mounting Plate
6	RP96GK2679 Wall Mount Gasket
N/S	RP4OPKPBO1 Packet Assembly



Mounting
Template



8.00
[**203.2**]

2.00
[**50.8**]