



Axis Fixed Dome Network Cameras

Compact, discreet, and high-performance

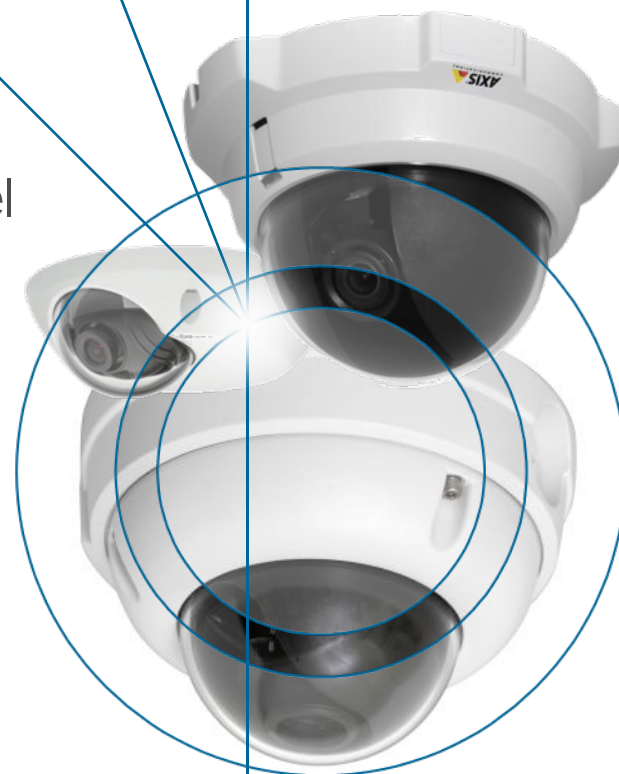
Why fixed dome network cameras?

- ▶ Compact, discreet, non-obtrusive design
- ▶ Prevents observers from seeing in which direction the camera is pointing
- ▶ More difficult to tamper with than a traditional camera, e.g. redirecting or de-focusing
- ▶ Increased demand for vandal-resistant cameras
- ▶ Rapidly growing market for fixed dome cameras and network cameras



Overview – Fixed domes from Axis

- ▶ **AXIS 209FD**, very compact, flat design
- ▶ **AXIS 209FD-R**, very compact, flat design, vibration resistant, for buses and trains
- ▶ **AXIS 209MFD**, very compact, flat design, megapixel
- ▶ **AXIS 216FD**, compact, discreet
- ▶ **AXIS 216FD-V**, compact, discreet, vandal resistant
- ▶ **AXIS 216MFD**, compact, discreet, megapixel
- ▶ **AXIS 216MFD-V**, compact, discreet, megapixel, vandal resistant
- ▶ **AXIS 225FD**, compact, for outdoor mounting, vandal-resistant with built-in heater and fan



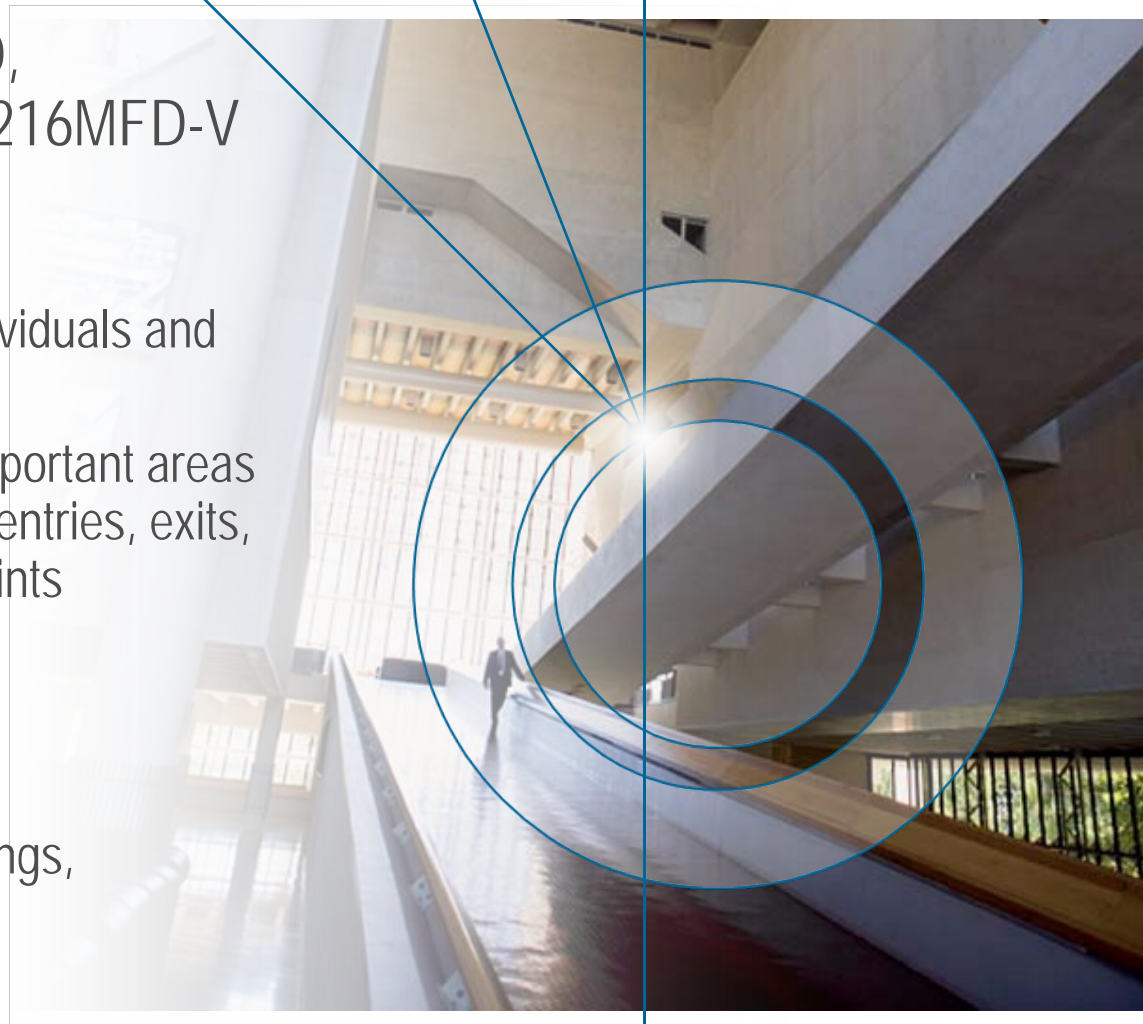
Highlights – Fixed domes from Axis

- ▶ 8 compact models to choose from (Feb 2008)
- ▶ 3 megapixel models
- ▶ 3 vandal-resistant models
- ▶ Built-in intelligence
- ▶ 3 very compact models
- ▶ One model specially designed for buses and rail systems



Megapixel models

- ▶ 3 models – AXIS 209MFD, AXIS 216MFD and AXIS 216MFD-V
- ▶ Excellent image detail
 - Ideal for identification of individuals and objects
 - Suitable for monitoring of important areas in various applications, e.g. entries, exits, casinos, banks and cash points
- ▶ Exceptional overview
 - Coverage of larger areas
 - Libraries, government buildings, universities, etc.



Built-in intelligence – Intelligent Video

▶ Video Motion Detection

- Automatic alert / recording when an object or person moves in the scenery
- In all Axis fixed dome models

▶ Audio Detection

- Automatic alert / recording when the audio level exceeds preset value
- In all AXIS 216-models

▶ Active Tampering Alarm

- Automatic alert when normal operation is disrupted
- Detects redirection, blocking, covering, etc.
- In AXIS 209FD-R, all AXIS 216-models* and AXIS 225FD



*Available Q1 2008

AXIS 209FD/MFD Network Cameras

- ▶ Flat, discreet cameras
- ▶ Designed especially for non-invasive video surveillance
- ▶ Quick and easy installation
- ▶ Very compact – 10 cm / 4" in diameter, 4 cm / 1.5" high



AXIS 209FD/MFD Network Cameras

- ▶ Progressive scan gives sharp images of moving persons & objects
- ▶ VGA resolution, 640x480 pixels (AXIS 209FD)
- ▶ Megapixel resolution, 1280x1024 pixels (AXIS 209MFD)
- ▶ Power over Ethernet – no separate power cable needed
- ▶ Tamper-resistant casing



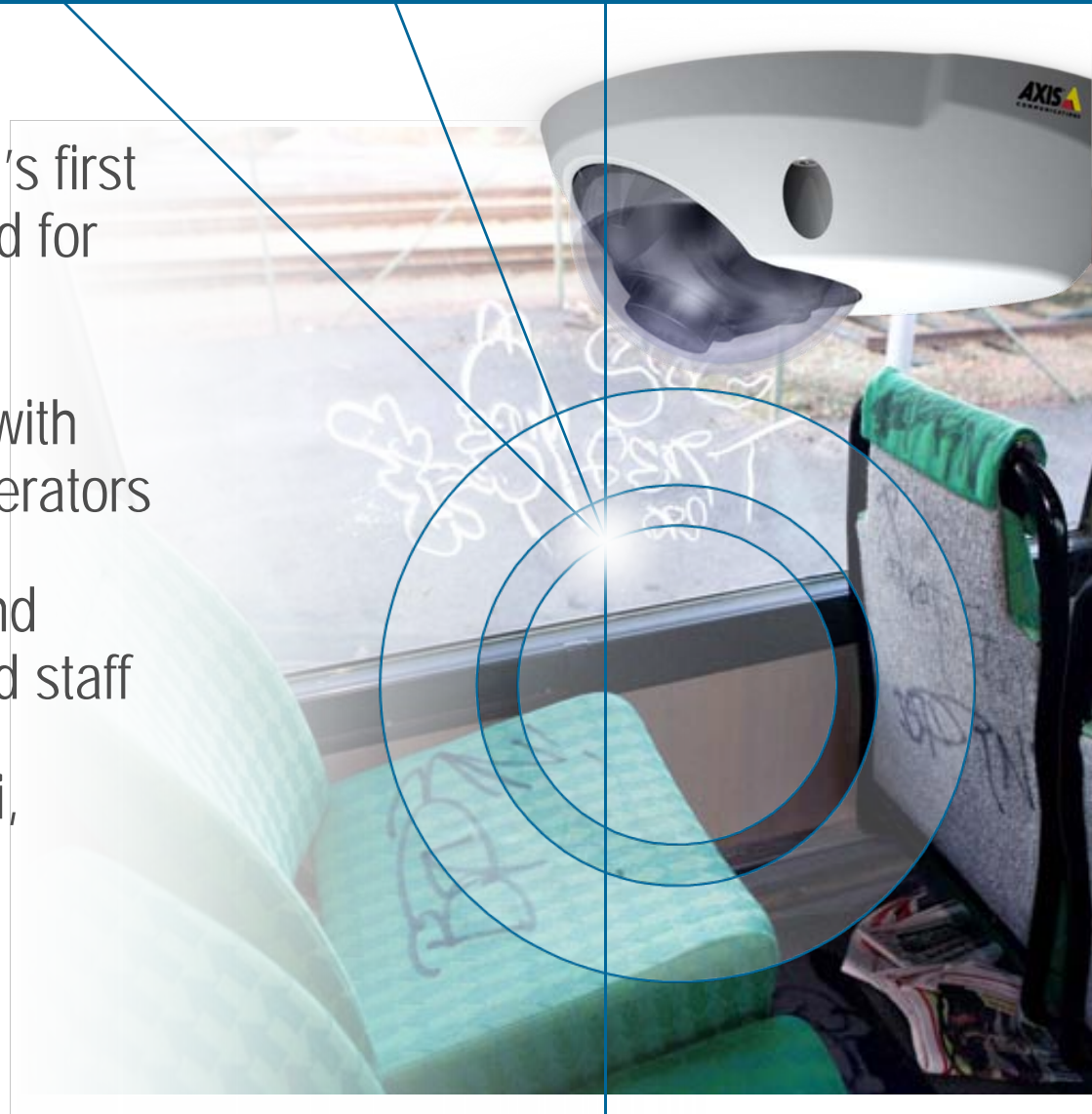
AXIS 209FD/MFD – Key applications

- ▶ Suitable for several indoor applications, such as:
 - Shops and stores
 - Hotel/company receptions
 - Offices
 - Corridors



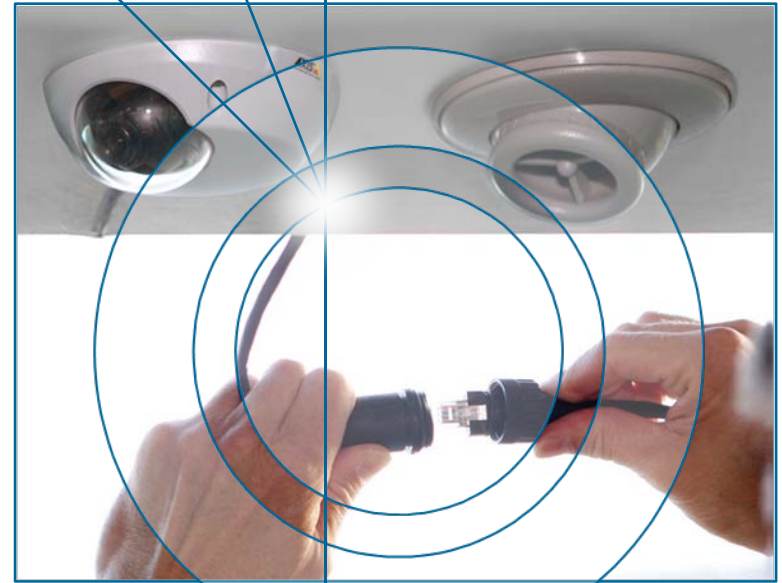
AXIS 209FD-R – for buses and trains

- ▶ AXIS 209FD-R is the world's first camera especially designed for buses and rail systems
- ▶ Developed in cooperation with leading public transport operators
- ▶ Helps to increase safety and security for passengers and staff
- ▶ Prevents vandalism, graffiti, robbery and other crimes



AXIS 209FD-R – fit for purpose

- ▶ Rugged design
- ▶ Tamper-resistant mounting
- ▶ Built-in tampering alarm alerts if the camera is tampered with
- ▶ IP66-rated for protection against dust, water and humidity
- ▶ Power over Ethernet for cost-efficient installation, no separate power cable needed



AXIS 209FD-R – fit for purpose cont.

- ▶ Special mechanics for resistance against vibrations
- ▶ Progressive scan gives sharp images of moving persons and objects
- ▶ Easy identification of individuals
- ▶ Delivers good image quality also in backlight situations
- ▶ Built-in heater for full functionality at low temperatures



AXIS 209FD/MFD/FD-R

	AXIS 209FD	AXIS 209MFD	AXIS 209FD-R
Sensor	Progressive scan VGA CMOS	Progressive scan 1.3 Megapixel CMOS	Progressive scan VGA CMOS
Lens	Fixed focal 3 mm F2.0	Fixed focal 3.6 mm F1.8	Fixed focal 3 mm F2.0
Minimum illumination	1.5 lux @ F2.0	3 lux @ F1.8	1.5 lux @ F2.0
Max. resolution	640 x 480	1280 x 1024	640 x 480
Frame rate	30 fps for all resolutions	MJPEG: 12 fps at 1280x1024 MPEG-4: 8fps at 1280x1024	30 fps for all resolutions
Temperature range	0 to 50°C / 32 to 122 °F	0 to 50°C / 32 to 122 °F	-20 to 50°C / -4 to 122 °F
Video Motion Detection	Yes	Yes	Yes
Active tampering alarm	No	No	Yes
Power over Ethernet	Yes, class 1	Yes, class 1	Yes, class 1
Vibration resistant	No	No	Yes
IP66	No	No	Yes

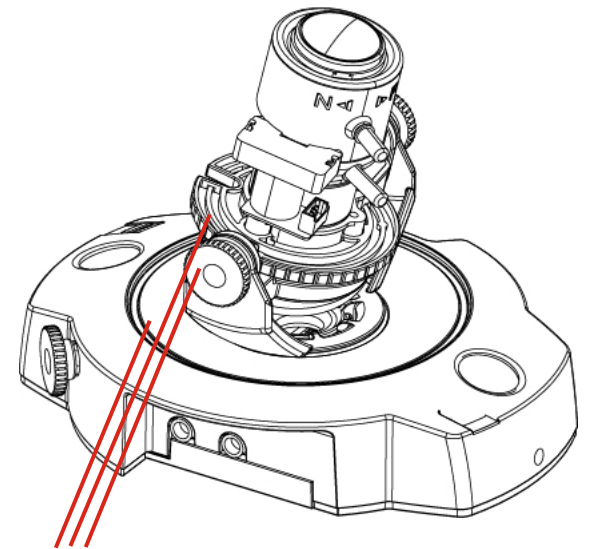
AXIS 216FD/MFD Network Cameras

- ▶ Compact, discreet cameras
- ▶ VGA resolution, 640x480 pixels (AXIS 216FD)
- ▶ Megapixel resolution, 1280x1024 pixels (AXIS 216MFD)
- ▶ Two-way audio
- ▶ Tamper-resistant
- ▶ Only 14.4 cm / 5.7" wide, 9.4 cm / 3.7" high



AXIS 216FD/MFD Network Cameras

- ▶ Progressive scan gives sharp image of moving persons and objects
- ▶ Simultaneous Motion JPEG and MPEG-4, in all resolutions – also in megapixel model
- ▶ Input/output for external sensors and relays
- ▶ Power over Ethernet - no separate power cable needed
- ▶ Quick, easy and flexible installation and adjustment



Versatile adjustment of camera viewing angle & direction

AXIS 216FD/MFD – Application examples



Applications that require a discreet or tamper-resistant monitoring solution

- ▶ Schools, universities, government buildings, malls, museums, stores, banks, etc.
- ▶ Megapixel version where high level of detail is required

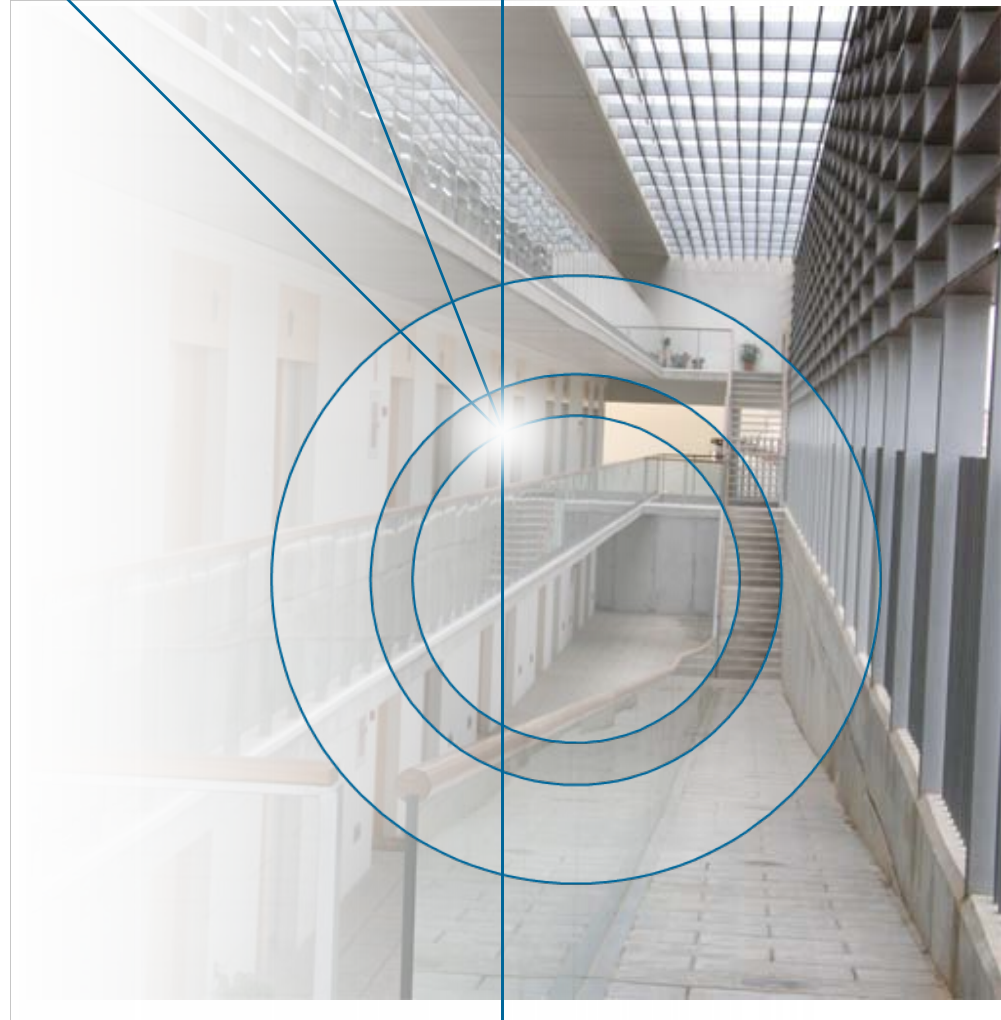
AXIS 216FD-V/MFD-V

- ▶ Vandal-resistant versions of AXIS 216FD and AXIS 216MFD
- ▶ Metal base
- ▶ Durable transparent cover



AXIS 216FD-V/MFD-V – Key applications

- ▶ Ideal for locations exposed to vandalism
 - Schools
 - Prisons
 - Detention centers
 - Banks
 - Stores



AXIS 216 models – Accessory examples

- ▶ Smoked dome cover
- ▶ Drop ceiling mounting kit, clear or smoked
- ▶ Mounting kits for ceilings, walls, poles, etc. for AXIS 216FD/MFD*
- ▶ Black casing for AXIS 216FD/MFD



*Can also be used for vandal-resistant AXIS 216-models.
The protection level for the total installation will then decrease.

**Available Q1 2008

AXIS 216 models

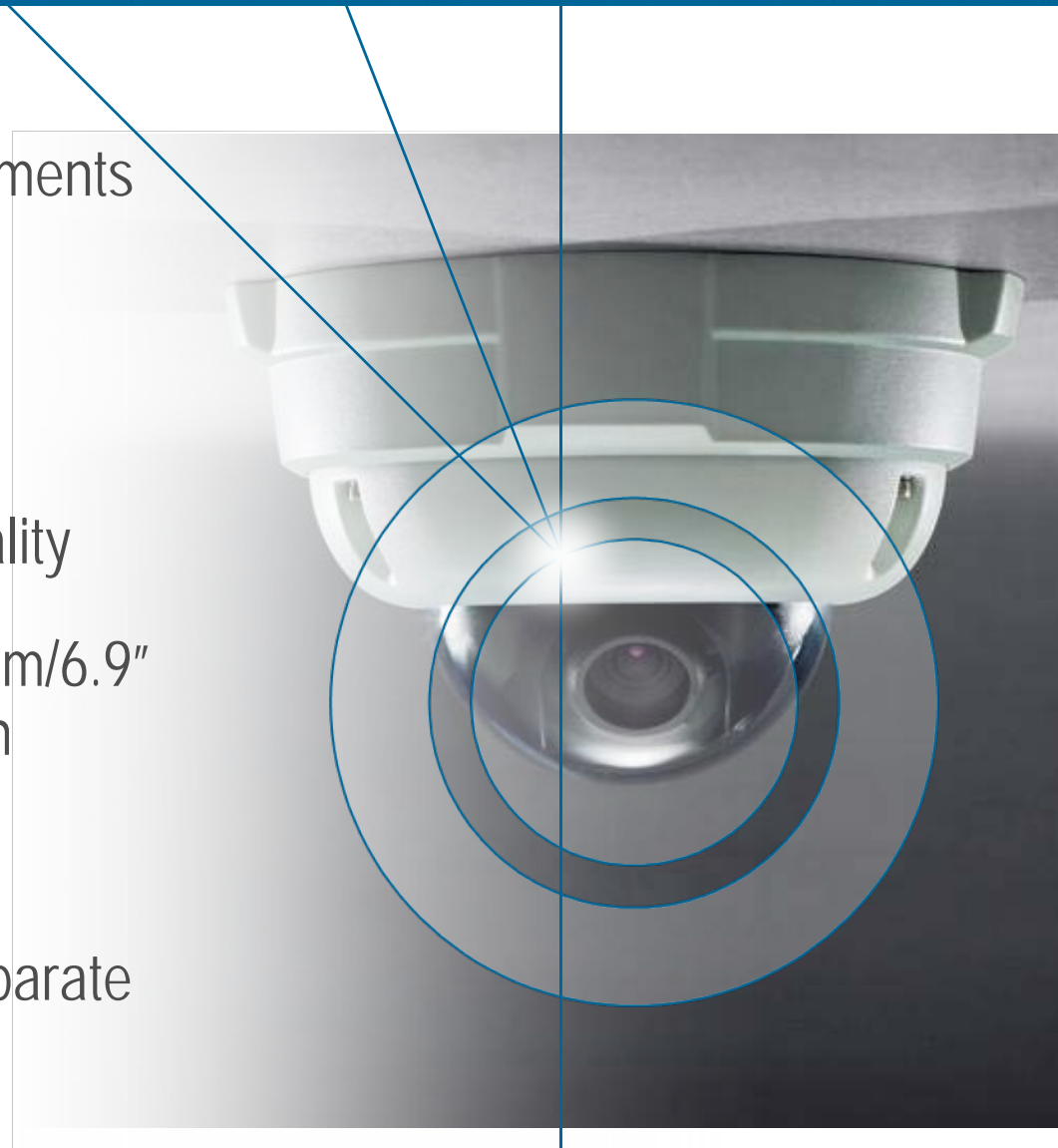
	AXIS 216MFD/ AXIS 216MFD-V	AXIS 216FD/ AXIS 216FD-V
Feature		
Sensor	Progressive scan CMOS, 1.3 MP	Progressive scan CMOS, VGA
Lens	2.8-10 mm, F1.3 Varifocal DC-iris	2.8-10 mm, F1.3 Varifocal DC-iris
Min illumination	2.0 lux (color)	1.0 lux (color)
Max resolution	1280 x 1024	640 x 480
Frame rate	MJPEG: 12 fps at 1280 x 1024 30 fps at 800 x 600 (partial scan) MPEG-4: 8 fps at 1280 x 1024 20 fps at 800 x 600 (partial scan)	30 fps for all resolutions
Temperature range	0 to 50°C / 32 to 122 °F	0 to 50°C / 32 to 122 °F
Video Motion Detection	Yes	Yes
Active Tampering Alarm	Yes *	Yes *
Power over Ethernet	Yes	Yes
Audio	Yes, two-way	Yes, two-way
Casing	Tamper / Vandal resistant	Tamper / Vandal resistant

*Available Q1 2008

AXIS 225FD Network Camera

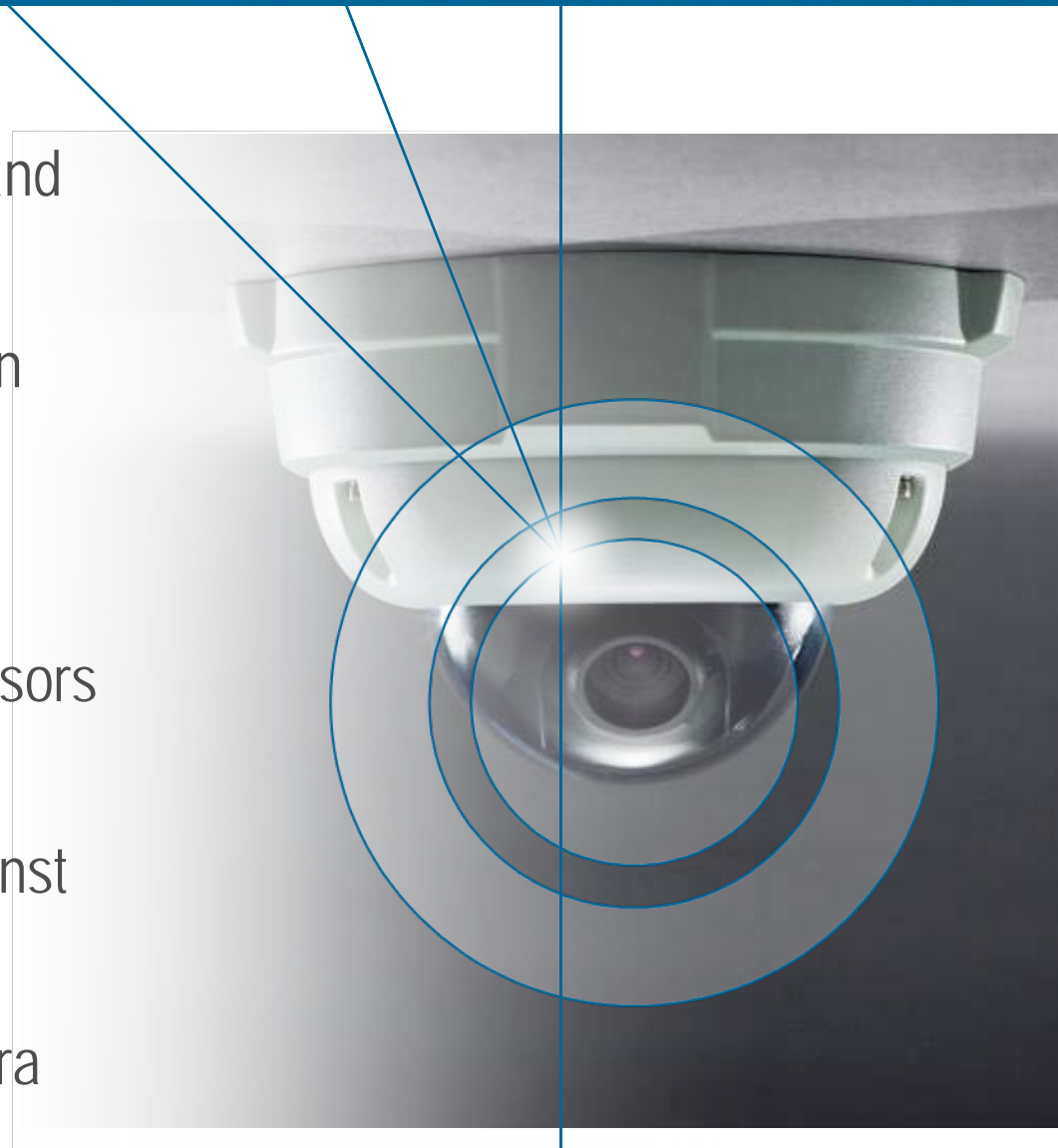
Out-of-the-box for tough environments

- ▶ Vandal resistant
- ▶ Outdoor-proof
- ▶ Automatic day/night functionality
- ▶ Compact and discreet, 17.5 cm/6.9" in diameter, 11.5 cm/4.5" high
- ▶ Flexible installation
- ▶ Power over Ethernet – no separate power cable needed



AXIS 225FD – Key features

- ▶ Simultaneous Motion JPEG and MPEG-4
- ▶ Up to 30 frames per second in VGA resolution
- ▶ Built-in heater and fan
- ▶ Inputs/output for external sensors and relays
- ▶ IP66-rated for protection against dust, water and humidity
- ▶ Versatile adjustment of camera viewing angle and direction



AXIS 225FD – Key features

AXIS 225FD

Feature	
Sensor	Progressive scan, CCD
Lens	2.8 – 5.8 mm, F1.4, DC-iris
Min. illumination	1 lux (color), 0.2 lux (B/W)
Max. resolution	640 x 480
Frame rate	30 fps for all resolutions
Temp.	-20 — 50 °C / -4 — 122 °F Built-in heater & fan
Video Motion Detection	Yes
Active Tampering Alarm	Yes
Power over Ethernet	Yes (excl. heater)
Day / Night	Yes, automatic
Casing	Vandal-resistant, IP66 casing, outdoor/indoor



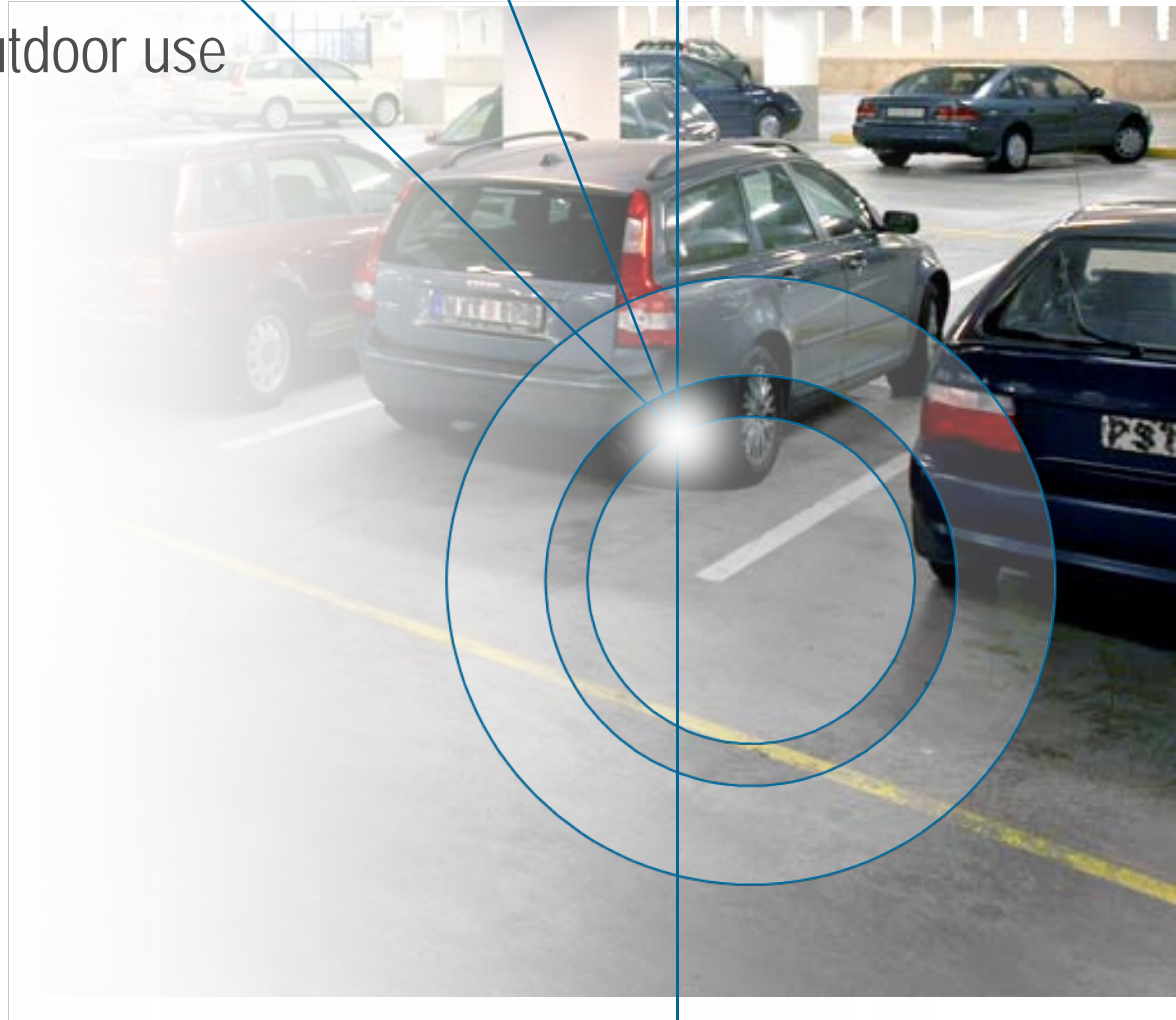
AXIS 225FD – Application examples

- ▶ Indoor/outdoor applications where vandal resistance is required
 - University campuses
 - Schools
 - Detention centers
 - Prisons



AXIS 225FD – Application examples, cont.

- ▶ For outdoor and semi-outdoor use
 - Parking houses
 - Railway stations
 - Bus stations
 - Warehouses
 - City surveillance



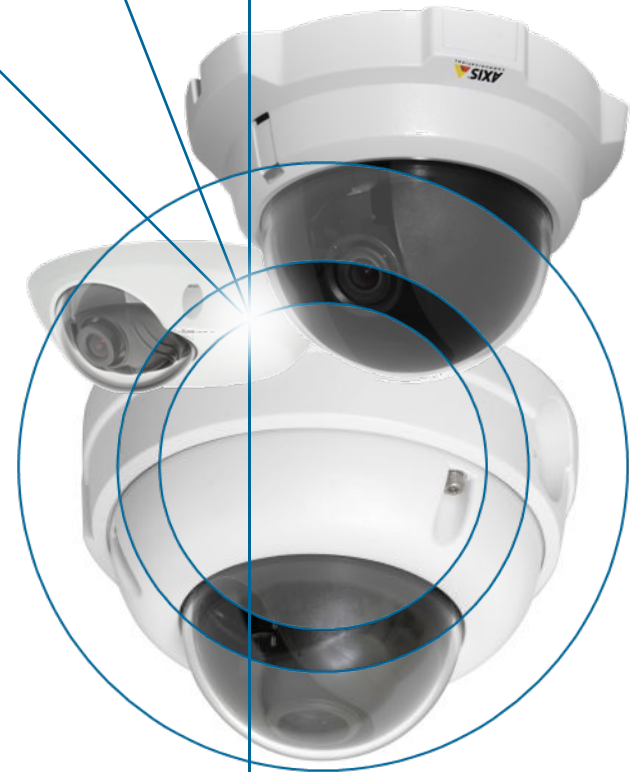
AXIS 225FD – Accessory examples

- ▶ Smoked dome cover
- ▶ Drop ceiling mounting bracket
- ▶ Mounting kits for ceilings, walls, poles, etc.



Summary – Fixed domes from Axis

- ▶ Compact, discreet and high-performance
- ▶ A wide range of fixed dome models for various applications
- ▶ Megapixel models
- ▶ Built-in intelligence
- ▶ Vandal-resistant models
- ▶ Ranging from the compact to the extremely small



Questions & Answers

Thank you!

