



SD III

Super Dynamic



All-in-one 24-hour outdoor surveillance camera featuring 30x zoom and Super Dynamic III

Key Features

- **Super Dynamic III** technology delivers 128x (NTSC) / 160x (PAL) wider dynamic range compared to conventional cameras.
- High resolution: 540 TV lines typical / 520 TV lines minimum (Color HIGH mode), 480 TV lines minimum (Color NORMAL mode), 570 TV lines minimum (B/W mode)
- High sensitivity with Day-Night function: 0.5 lux (Color) at F1.4 (WIDE), 0.04 lux (B/W) at F1.4 (WIDE). IR cut filter switches on and off to ensure optimal picture quality in both color and B/W.
- Adaptive Digital Noise Reduction: 2D-DNR and 3D-DNR integration ensures reduced noise in various conditions.
- Electronic sensitivity enhancement Auto (Up to 32x), Manual (Up to 32x).
- Electronic shutter from 1/100 (NTSC), 1/120 (PAL) to 1/10,000 sec.
- 30x zoom lens: 3.8mm ~ 114mm (approx. 300x with digital zoom)
- Panning speed of max. 400°/s at preset mode and 0.065°/s super fine control at manual mode.
- 5 degrees upper view for various applications
- 256 preset positions that can be activated from the system controller with a switcher or recorder (specific models).
- Auto tracking: The camera follows the largest movement in the image automatically. The camera will pan and tilt to keep the subject in the center of the image.
- Built-in Video Motion Detector with Sensitivity 256 steps, Mask 8 x 6 areas
- Scene Change Detection alarms when lens is covered, spray painted, removed or defocused.
- Four alarm inputs and two outputs terminals.
- Alarm actions include Terminal output, Camera positioning, Auto pan, Patrol, SEQ, Sort, Auto track, B/W and command output.
- Auto image stabilizer for applications where vibration or wind is a concern.
- Internal / Line-lock / Multiplexed Vertical Drive (VD2) synchronization.
- Over the coaxial cable or RS-485 data communication.
- 16 alphanumeric camera title display.
- Multi language setup menu: English, French, Italian, Spanish, German, Russian
- IP66 rated water and dust resistant. IEC60529 measuring standard compatible.
- Built-in fan/heater for temperature changes of -40 °C ~ +50 °C (-40 °F ~ +122 °F).
- Built-in sun shield permits camera locations in direct sunlight.

Standard Accessories

- | | | | |
|---|-------|---|--------------------------------|
| • Operating Instructions | 1 pc. | • Connector for 24 V AC (only for WV-CW964) | 1 pc. |
| • Warranty Card | 1 pc. | • Front/rear sun shield | 1 set |
| The following items are for installation. | | | |
| • 8P Alarm Cable | 1 pc. | • Front/rear sun shield mounting screws | 2 pcs. (*one screw is a spare) |
| • 4P Alarm Cable | 1 pc. | • Waterproof cap | 3 pcs. |

Optional Accessory

Wall Mount Bracket
WV-Q122



This catalog is provided for all over the world.
Some accessories may not be available in some countries.

Specifications

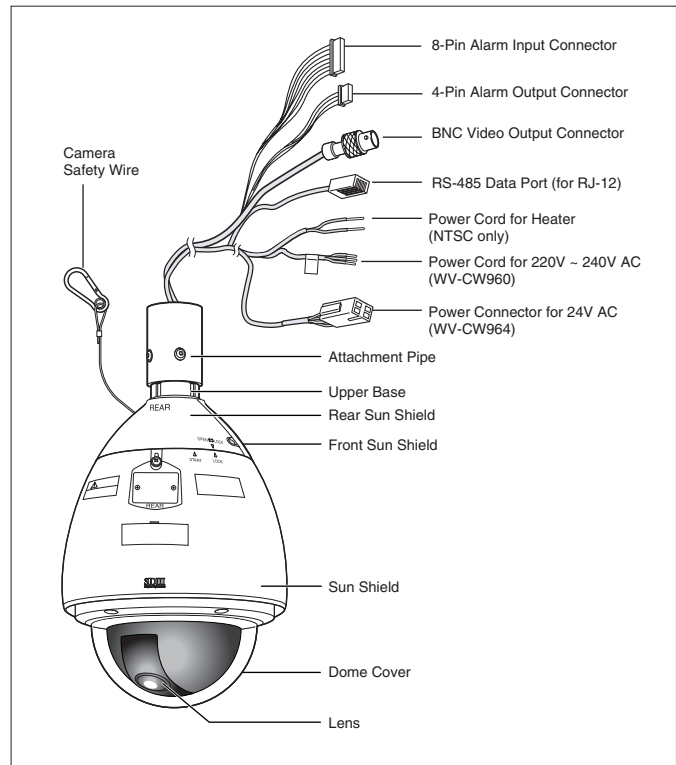
TV System	NTSC	PAL
Camera	1/4-type interline transfer CCD	
Effective Pixels	768 (H) x 494 (V)	752 (H) x 582 (V)
Scanning Mode	2:1 interlace	
Scanning Area	3.65 (H) x 2.74 (V) mm	3.65 (H) x 2.71 (V) mm
Scanning Frequency	Horizontal: 15.734 kHz Vertical: 59.94 Hz	Horizontal: 15.625 kHz Vertical: 50.00 Hz
Scanning Line	525 lines	625 lines
Horizontal Resolution	540 TV lines typical / 520 TV lines minimum (Color HIGH mode), 480 TV lines minimum (Color NORMAL mode), 570 TV lines minimum (BW mode)	
Minimum Illumination	Color (30 IRE): 0.5 lux (SENS UP: OFF), 0.016 lux (SENS UP: 32x) at F1.4 B/W (10 IRE): 0.04 lux (SENS UP: OFF), 0.0013 lux (SENS UP: 32x) at F1.4	
Signal-to-Noise Ratio	50 dB (AGC: OFF, Weight: ON)	
White Balance	AWC (2,000 - 10,000 K), ATW1 (2,700 - 6,000 K), ATW2 (2,000 - 6,000 K)	
Light Control	ALC / MANUAL	
AGC	ON (LOW, MID, HIGH) / OFF	
Super Dynamic III	ON / OFF (With BLC masking 8 x 6 areas)	
Dynamic Range	52 dB typical (Super Dynamic III : ON)	54 dB typical (Super Dynamic III : ON)
Electronic Shutter	OFF (1/60), AUTO, 1/100, 1/250, 1/500, 1/1,000, 1/2,000, 1/4,000, 1/10,000 s	OFF (1/50), AUTO, 1/120, 1/250, 1/500, 1/1,000, 1/2,000, 1/4,000, 1/10,000 s
Electronic Sensitivity UP	OFF / AUTO (2x, 4x, 6x, 10x, 16x, 32x) / FIX (2x, 4x, 6x, 10x, 16x, 32x)	
Digital Noise Reduction	High or Low	
Resolution Mode	Normal or High	
Black and White Mode	Mode: AUTO / ON / OFF, Level: High / Low, with external control	
Digital Zoom	10x	
Scene File	10 patterns (Shutter, AGC, Sens UP, White balance, VMD)	
Scene Select Setting	INDOOR (L) / INDUOR (H) / OUTDOOR (L) / OUTDOOR (H)	
Video Motion Detection	OFF / Mode1 (VMD) / Mode2 (Scene change), Sensitivity 256 steps, Mask 8 x 6 areas	
Privacy Zone	OFF / Gray / Mosaic, 8 zones	
Auto Image Stabilizer	ON / OFF	
Area Title	8 Area titles, 16 Characters / area	
Camera Title	16 alphanumeric characters	
Auto Focus	Manual S/M/L (one push) / AUTO S/M/L (after PTZ operation)	
Synchronization	Internal (INT), Multiplexed Vertical Drive (VD2), Line-Lock (LL)	
Lens		
Focal Length	3.8 mm ~ 114 mm, 30x zoom (approx. 300x with digital zoom)	
Zoom Speed	approx. 6.0 second (TELE ~ WIDE) in manual mode	
Zoom Limit	1x ~ 300x (Over 30x is digital zoom)	
Angular Field of View	H: 1.8° (TELE) ~ 52.3° (WIDE), V: 1.4° (TELE) ~ 39.9° (WIDE)	
Maximum Aperture Ratio	1:1.4 (WIDE) ~ 3.6 (TELE)	
Focusing Range	1.5 m (4.9 ft.) ~ ∞	
Aperture Range	F1.4 ~ 22, Close	
Pan and Tilt		
Panning Range	360° endless	
Panning Speed	Manual: approx. 0.065 °/s ~ 120 °/s, 256 steps, Preset: approx. 400 °/s	
Tilting Range	-5° ~ 185° (5° upper view available)	
Tilting Speed	Manual: approx. 0.065 °/s ~ 120 °/s, 256 steps, Preset: approx. 400 °/s	
Proportional Pan/Tilt Control	Supported	
Number of Preset Positions	256	
Auto Mode	OFF, Home, SEQ, SORT, AUTO PAN, PATROL 1 ~ 4, AUTO TRACK	
Auto Track	Standard Auto Track	
Patrol	Selectable: 2 min. (1 program) / 1 min. (2 programs) / 30 sec. (4 programs)	
Image Hold	ON / OFF	
Digital Flip	ON / OFF	
Area Title	8 Area titles, 16 Characters / area	
Preset Alarm	ON / OFF	
Alarm		
Alarm Source	Terminal input, VMD, Command alarm	
Alarm Actions	Preset position 1 ~ 4, PATROL 1 ~ 4, AUTO TRACK 1 ~ 4, SEQ, SORT, AUTO PAN, B/W	
Input / Output		
Video Output	1.0 V [p-p] / NTSC composite 75 Ω / BNC Connector, Multiplexed VD2 and control data capable	1.0 V [p-p] / PAL composite 75 Ω / BNC Connector, Multiplexed VD2 and control data capable
RS-485 Control IF	RS-485 (RJ-11) x1, 2/4wire, full/half duplex	
External I/O Terminals	4 inputs (ALARM IN 1 ~ ALARM IN 4), 2 outputs (ALARM/AUX1, BW/AUX2)	
General		
Setup Method	OSD setup menu	
Password Lock	ON / OFF	
Language	English, Russian (For setup menu and camera ID), German, French, Italian, Spanish (For setup menu), Chinese, Japanese (For camera title, Setup menu will be English.)	
Safety/EMC Standard	UL (6500 Edition2), FCC (Part15 ClassA), C-UL (E60065), DOC (ICES003 ClassA)	CE (EN60065, EN55022, EN55024, ClassB), GOST (R 51558)
Power Source and Power Consumption	24 V AC, 60 Hz, 17 W, (for camera) 62 W (for heater)	WV-CW964: 24 V AC, 50 Hz, 77 W (including heater) WV-CW960: 220 ~ 240 V AC, 50 Hz, 90 W (including heater)
Ambient Operating Temperature	-40 °C ~ +50 °C (-40 °F ~ 122 °F)	
Ambient Operating Humidity	90 % or less (without condensation)	
Water and Dust Resistance	IP66, IEC60529 measuring standard compatible.	
Dimensions	ø239 mm (D) x 395.5 mm (H) (ø9-7/16" (D) x 15-9/16" (H))	
Weight (approx.)	4.7 kg (10.4 lbs.)	
Finish	Camera: Die cast Aluminum, backed on coating (Paint color: Fine Silver) Sun Shield: ASA resin, coated (Paint color: Fine Silver) Dome: Clear polycarbonate resin	

Important

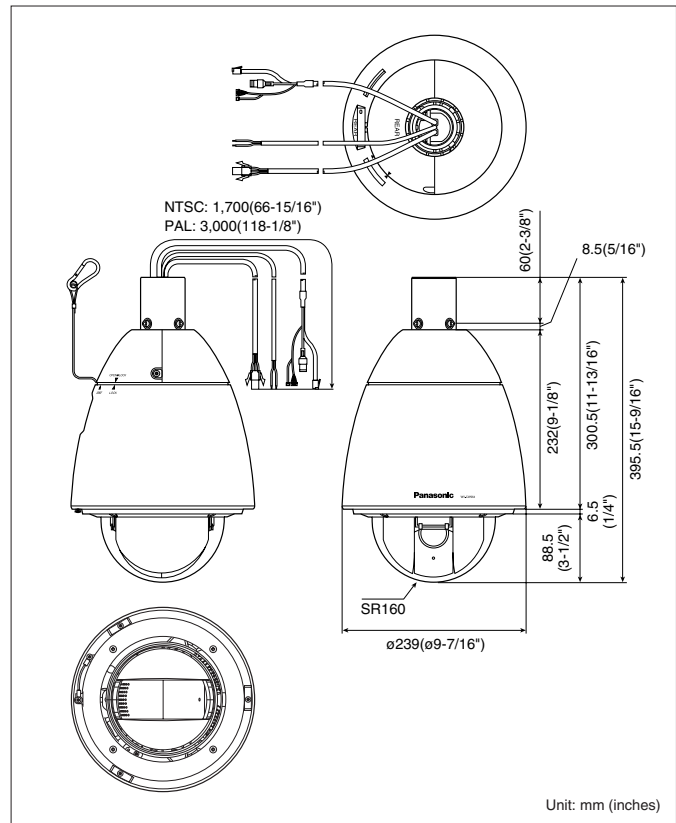
- Safety Precaution: carefully read the operating instructions and installation manual before using this product.

DISTRIBUTED BY:

Part Names and Functions



Appearance



- All TV pictures are simulated.
- Weights and dimensions are approximate.
- Specifications are subject to change without notice.
- These products may be subject to export control regulations.
- Product pictures shown in this catalog are all NTSC models.

Panasonic

<http://panasonic.co.jp/pss/cctv/en/>

Printed in Japan (2A-012AA)