

Key Features

- Extreme weather performance
- -50°C to + 50°C operation (-58°F to +122°F)
- No need for heaters or blowers
- Insulated double wall metal construction
- Proven experience in the Arctic and in Africa
- Slide-Out Chassis for FULL camera access
- Pre-Wired Harness to work with Chassis
- Toughened LEXAN window
- Optional Wall and Ceiling brackets
- Optional T-Bar to mount UF500 infrared

Product Description

The **EX28 All-Weather Camera Housing** is a full size double-wall insulated aluminum housing designed to withstand extreme weather while allowing full size cameras to operate without the use of heaters or blowers at ambient temperatures from -50°C to +50°C (-58°F to +122°F). Within the double wall construction is a 1" (25 mm) thick layer of insulation. Efficient and effective operation in most of the planet's environments is achieved without the risk of heater and cooling fan failure.

For those cameras that operate with power "down the coax", the EX28 is ideal. Integral to the EX28 are a full-extension slide out chassis and pre-harnessed wiring that make for easy coax and power connections. The design allows for access to the front AND the rear of the camera without having to reach into the housing.

Accessories include wall brackets (EXMB.003), T-Bar Adaptors (EXMB.010) and matching infrared illuminators (UF500).

A&E

- Available on request
Contact: sales@ExtremeCCTV.com

Product Image



Applications

- Extreme weather protection for full-size cameras.
- Integration with UF500 infrared.



← Left: UF500 infrared illuminators are matched perfectly with the EX28 to achieve impressive night time surveillance to 600 feet+. Accessory brackets are defined below. The complete arrangement can also be fitted onto flat-top PT motors that are rated at 50 pounds and higher.



← Left: A dark scene is uncovered through UF500 infrared illuminators that are matched perfectly with the EX28 to achieve impressive night time surveillance to 600 feet+.

The EX28 allows for camera operation through the extremes of weather, from a cold Canadian winter (as seen above left) to the hot summers of the African safari.

Specifications are subject to change without notice

Patent Pending - © Extreme CCTV Inc. 2004

EX28_v11 040306

Dealer/Distributor



UK / Europe

USA / Canada

Toll Free (N.A.)

Tel: +44 (0) 1670 730 187

Fax: +44 (0) 1670 730 188

Tel: +1.604.420.7711

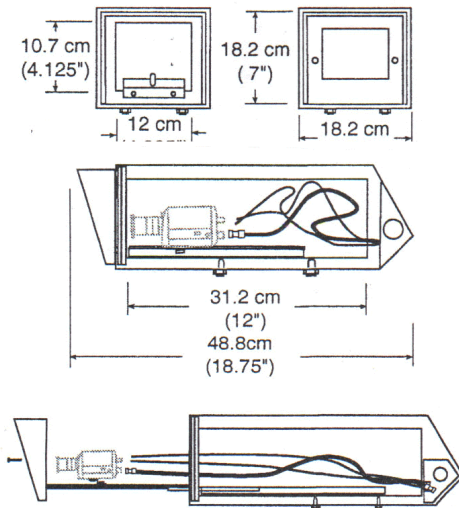
Fax: +1.604.420.3300

Tel: +1.888.409.2288

www.ExtremeCCTV.com



Technical Drawings



Specifications

(Other Special Order Models available on request)

EX28 Camera Model Housing Type	All-Weather Metal for Full Size Cameras
Housing Details	Double Wall, Insulated
Housing Material	Aluminum # 3105H14 Thickness: 2.3 mm
Construction	Robust aluminum, double wall Gasketed/Sealed to IP66 / NEMA4
Window	Lexan
Dimensions (External)	182 mm x 182 mm x 488 mm 7.0" x 7.0" x 18.75"
Dimensions (Internal)	107 mm x 117 mm x 312 mm 4.125" x 4.5" x 12.0"
Weight	9.0 lbs (4.1 kg)
Color	White (other colors by special order)
Mount	4 bolt pattern to match Optional Brackets (see below)
Wall Bracket	Optional – see below
Cabling	Pre-Harnessed power and COAX internal only.
Temperature Range	-50°C to +50°C (-58°F to +122°F)

Note: All -50°C (and below) temperatures require special cold – crack cabling.

Part Numbers

(Other Special Order Models available on request)

EX28W Housing, Aluminum Double-Wall Insulated, White

- EX28FSX.400cs** Mono, 1/3" LXR, 420 TVL, cs-mount
- EX28FSX.600cs** Mono, 1/3" LXR, 600 TVL, cs-mount
- EX28FSX.800cs** Mono, 1/2" LXR, 600 TVL, cs-mount
- EX28FCX.400cs** Color, 1/3" LXR, 380 TVL, cs-mount
- EX28FCX.600cs** Color, 1/3" LXR, 480 TVL, cs-mount
- EX28FCX.800cs** Color, 1/2" LXR, 480 TVL, cs-mount
- EX28FCZ.400cs** Color-IR, 1/3" LXR, 380 TVL, cs-mount
- EX28FCZ.600cs** Color-IR, 1/3" LXR, 480 TVL, cs-mount
- EX28FCZ.800cs** Color-IR, 1/2" LXR, 480 TVL, cs-mount

EX28PC1 Performance Combo: EX28FSX.800, UF500.003, 2 – UF500.201, EXMB.010

Note: The above do not include lens.

Optional Items:

- EXMB.003** Wall Bracket, HD w/ Pan/Tilt Head
- EXMB.015** Pole Mount Adapter for EXMB.003 Wall Bracket
- EXMB.004** Ceiling Bracket, HD w/ Pan/Tilt Head
- EXMB.010** T-Bar Adaptor for Twin UF500 Infrared

Accessories

- UF500 Camera** Infrared – Call for Specific Models
- PT Motors** Call for Suggested Matching Cameras
- Call for Compatible Pan/Tilt Motors



↑ Above: The insulated EX28 protects a full size conventional camera from the extremes of weather without the need for heaters or blowers. This energy saving, low maintenance camera housing also allows for easy access to the internal electronics through its front slide-out chassis.

Specifications are subject to change without notice

Patent Pending - © Extreme CCTV Inc. 2004

EX28_v11 040306

Dealer/Distributor



UK / Europe

USA / Canada

Toll Free (N.A.)

Tel: +44 (0) 1670 730 187

Fax: +44 (0) 1670 730 188

Tel: +1.604.420.7711

Fax: +1.604.420.3300

Tel: +1.888.409.2288

www.ExtremeCCTV.com