

## Key Features

- Cast & extruded aluminium
- Glass window
- Variety of high performance CCD's available
- Voltage regulation / Power protection
- Input power in 12-24 volts AC or DC
- Easy access for lens adjustments
- U-Mount Bracket included (wall bracket optional)

## Product Description

The EX26 is a versatile, rugged and economical all-weather, all-in-one integrated camera. Monochrome and color models are available in medium and hi-res versions.

Each EX26 camera is delivered with your specified choice of micro-board lens from 2.5 mm to 16 mm. A voltage regulator allows operation at 12 VDC or 24 VAC operation. The EX26 also is available with several CCD options.

## Applications

- Extreme outdoor for rugged, effective all-weather CCTV surveillance
- Access Control / Home Automation
- Hotels
- Public Buildings
- Industrial Buildings
- Indoor/Outdoor
- Commercial

## A&E

- Available Upon Request  
Contact: Sales@ExtremeCCTV.com

## Product Image



## Certifications / Compliance

CSA-NRTL: LR 113310

Class: 2226 02 / 82 Commercial Video Equipment

Safety: OSHA / ANSI / UL / CSA  
CSA Std. C22.2 – Various Sections  
UL 50 – Enclosures for Electrical Equipment  
UL 2044 – Commercial CCTV Equipment

Environmental: CSA / NEMA TYPE 4



Above: The EX26S.306 IR-Optimized camera with an infrared illuminator provides high-signal, low-noise night vision to 60 feet.

Note: EXMB.020 L-bracket and EX26LED.850 Infrared Illuminator sold separately.

Specifications are subject to change without notice

Patent Pending - © Extreme CCTV Inc. 2003

EX26\_v10 041013

Dealer/Distributor



UK / Europe

USA / Canada

Toll Free (N.A.)

Tel: +44 (0) 1670 730 187

Fax: +44 (0) 1670 730 188

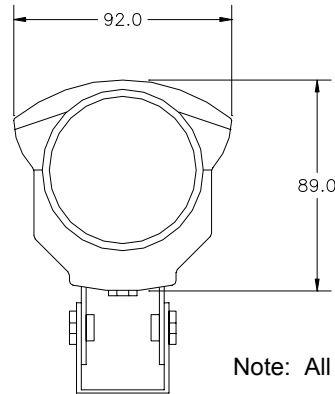
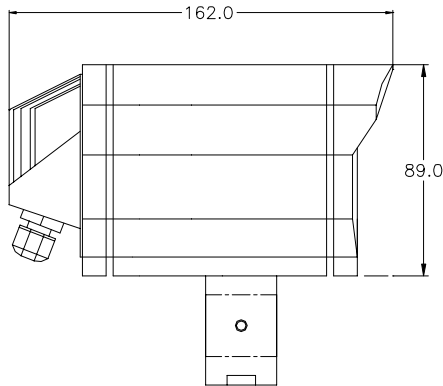
Tel: + 1.604.420.7711

Fax: + 1.604.420.3300

Tel: + 1.888.409.2288

www.ExtremeCCTV.com

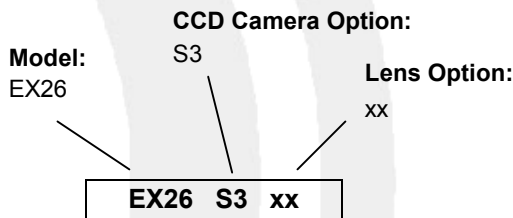
#### Technical Drawings



Note: All numbers in millimetres.

#### Part Numbers

(Other Special Order Models available on request)



#### CCD Camera Options:

<b>S3</b>	S300	Mono 1/3" CCD 420 TVL
<b>S6</b>	S600	Mono 1/3" CCD 600 TVL
<b>SX4</b>	SX400	Mono 1/3" LXR CCD 420 TVL
<b>SX6</b>	SX600	Mono 1/3" LXR CCD 600 TVL
<b>C3</b>	C300	Color 1/3" CCD 380 TVL
<b>C4</b>	C400	Color 1/3" CCD 380 TVL
<b>C7</b>	C700	Color 1/3" CCD 480 TVL
<b>QX4</b>	QX400	Quattro 1/3" LXR CCD 380 TVL
<b>QX6</b>	QX600	Quattro 1/3" LXR CCD 480 TVL

**Lens Options** (Micro-Fixed Lenses only) – replace xx with:

02 - 2.5 mm	03 - 2.9 mm	04 - 3.6 mm
05 - 4.3mm	06 - 6.0 mm	08 - 8.0 mm
12 - 12.0 mm	16 - 16.0mm	

#### General Specifications

<b>CCD Cameras</b>	Various Models – See Part Numbers
<b>Consumption</b>	3 W Max. for color models 2 W Max. for mono models
<b>Voltage</b>	12 VDC or 24 VAC selectable
<b>Construction</b>	Robust aluminum casting / extrusion Gasketed/Sealed to IP66 / NEMA4
<b>Window</b>	Toughened Glass
<b>Dimensions</b>	89mm (H) x 91mm (W) x 140mm (L)
<b>Weight</b>	0.8 kg (1.8 lbs)
<b>Color</b>	Black (other colors by special order)
<b>Mount</b>	U-Bracket Supplied
<b>Wall Bracket</b>	Optional – see below
<b>Cabling</b>	1.6 m (5 feet) of Belden Multi-Pair
<b>Temperature Range</b>	-50°C to +50°C, -58°F to 122°F

**Note:** All -50°C (and below) temperatures require special cold - crack cabling

#### Accessories

<b>EXPS.002</b>	Power Supply, 12 VDC, 0.5 amp, with 2.1 mm plug connector
<b>EXMB.020</b>	L-bracket, heavy duty (no P/T head)
<b>EXMB.023</b>	Wall bracket, die-cast (no P/T head)

Specifications are subject to change without notice

Patent Pending - © Extreme CCTV Inc. 2003

EX26\_v10 041013

Dealer/Distributor



UK / Europe

USA / Canada

Toll Free (N.A.)

Tel: +44 (0) 1670 730 187

Fax: +44 (0) 1670 730 188

Tel: +1.604.420.7711

Fax: +1.604.420.3300

Tel: +1.888.409.2288

www.ExtremeCCTV.com