

### Key Features

- Injection molded Nylon housing
- Stainless steel hardware
- Clear polycarbonate window
- Protected, insulated environment with desiccant pack for humidity control
- 1/3" CCD Monochrome or color models
- Voltage regulation /Power protection
- Input power in 12 – 24 volts AC or DC
- Universal mounting bracket included
- Tested to – 60°C ( - 76°F)
- IP67, NEMA 6, NEMA 6P Ratings for protection from rain, snow, circulating dust and temporary submersion.

### Product Description

A two-piece injection molded design allows a watertight seal for IP67 and NEMA 6 & 6P ratings. Made of nylon and stainless steel, this compact egg shaped camera has remarkable performance for extreme environments:

The EX10 includes voltage regulation, spike protection, and 12 VDC or 24 VAC operations. Pre-wired with a 5-foot (1.6 m) pigtail for plug and play installation, the EX10 is available with fixed lenses from 3.6mm to 12mm.

A nylon wall bracket is included with each order. A stainless steel U-bracket can be ordered as no-charge option in lieu of the wall bracket.

### Applications

- Wash down applications
- Food processing
- Clean rooms
- Marinas
- Acid / alkali environment
- Swimming pools
- Sewage Treatment plants
- Freezer Storage Plants
- Clean rooms

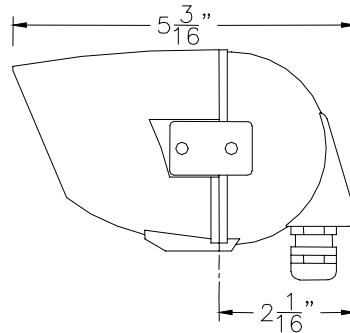
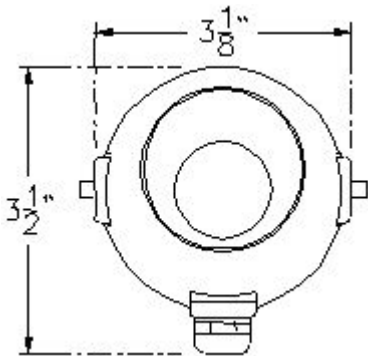
### Product Image



**Above ↑:** A black EX10 with a clear (non-tinted) window can be installed to black ceilings in commercial and industrial locations for discrete surveillance without loss of any lux levels. The optional BRKU10 bracket shown is made of stainless steel.

**Below ↓:** The EX10 is packaged with a standard wall bracket BRKW10 that is also made of nylon.



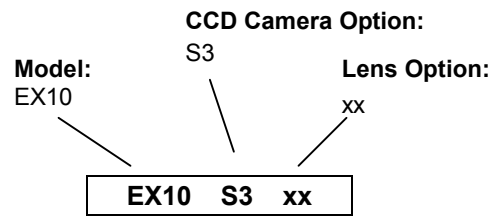
**Technical Drawings**

**Specifications - EX10 S304**
**Example spec for S300 CCD – other CCDs available**

Pick-up device	Mono 1/3" CCD B/W interline				
Resolution	>420 TVL				
Video output	1 V p-p, 75 Ohm, NTSC				
S/N	>50 dB				
Spectral sensitivity	400 to 940 nm				
Light sensitivity	0.05 Lux (F1.2)				
Electronic iris	1/60 to 1/100,000 second				
Auto gain control	>18dB				
Input power	12 VDC or 24 VAC				
Power consumption	<120mA at 12VDC				
Ambient operation temperature	-60° C to + 60° C (-76° F to +140° F)				
Fixed Lens (mm)	3.6	4.3	6.0	8.0	12
Viewing Angle (H)	68°	58°	42°	34°	23°
Enclosure	Injection molded nylon				
Max. Dimensions	132mm Length x 76mm Diameter (5-3/16" Length x 3" Diameter)				
Weight	375g (0.83 lb)				
Window	Polycarbonate (clear)				
Bracket "U"	U-bracket- stainless steel (optional)				
Bracket "W"	Reinforced nylon wall (standard)				

**Note:** All -50°C (and below) temperatures require special cold – crack cabling.

**Part Numbers**

(Other Special Order Models available on request)


**CCD Camera Options:**

<b>C3</b>	C300	Color 1/3" CCD 380 TVL
<b>C7</b>	C700	Color 1/3" CCD 480 TVL
<b>S3</b>	S300	Mono 1/3" CCD 420 TVL
<b>S6</b>	S600	Mono 1/3" CCD 600 TVL
<b>SX4</b>	SX400	Mono 1/3" LXR CCD 420 TVL
<b>SX6</b>	SX600	Mono 1/3" LXR CCD 600 TVL
<b>CX4</b>	CX400	Color 1/3" LXR CCD 380 TVL
<b>CX6</b>	CX600	Color 1/3" LXR CCD 480 TVL

**Lens Options:** (all micro type only)

**Micro – Fixed Lenses** – Replace xx with:

<b>04</b> = 3.6mm	<b>06</b> = 6.0mm	<b>12</b> = 12mm
<b>05</b> = 4.3mm	<b>08</b> = 8.0mm	

**Accessories**

<b>EXPS.002</b>	Power Supply, 12 VDC, 500 mA
<b>BRKU10</b>	Bracket, Ceiling U-Type for EX10
<b>BRKW10</b>	Bracket, Wall type for EX10
<b>BRKD10</b>	Bracket, D- type for EX10

Specifications are subject to change without notice  
 Patent Pending - © Extreme CCTV Inc. 2005

EX10\_TS\_050101

Dealer/Distributor



UK / Europe  
 USA / Canada  
 Toll Free (NA)

Tel: + 44 (0) 1670 730 187  
 Fax: + 44 (0) 1670 730 188  
 Tel: + 1 604 420 7711  
 Fax: + 1 604 420 3300  
 Tel: + 1 888 409 2288  
 www.ExtremeCCTV.com