

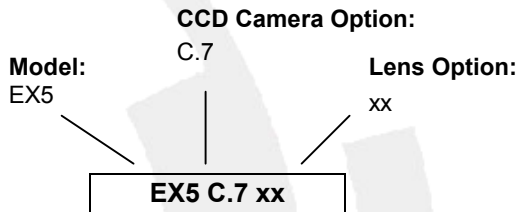
Product Description

The EX5 Series cameras are high performance CCD boards that are integrated with lenses, control devices and various options, all mounted to versatile metal bracketry to make for easy final installation into enclosures. Security professionals can design their own camera features by picking from a large array of available options.

The EX5 Series is ideal for integration into Extreme CCTV models EX15 and EX60.

Part Numbers

(Other Special Order Models available on request)



CCD Camera Options:

C3	C300	Color 1/3" CCD 380 TVL
C7	C700	Color 1/3" CCD 480 TVL
CX6	CX600	Color 1/3" LXR 480 TVL
S3	S300	Mono 1/3" CCD 420 TVL
S6	S600	Mono 1/3" CCD 600 TVL
Q3	Q300	Quattro 1/3" CCD 380 TVL
Q7	Q700	Quattro 1/3" CCD 480 TVL
SX4	SX400	Mono 1/3" LXR CCD 420 TVL
SX6	SX600	Mono 1/3" LXR CCD 600TVL
QX4	QX400	Quattro 1/3" LXR CCD 380 TVL
QX6	QX600	Quattro 1/3" LXR CCD 480 TVL

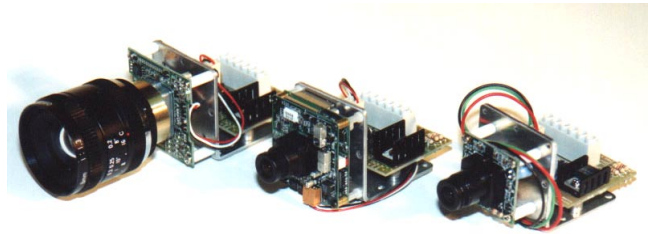
Options: (For Most CCD Cameras)

- Micro-Fixed Lenses - See xx models below.
- Micro-Varifocal Lenses – See Lens Tech Sheet
- CS-Mount Lenses – Various Fixed & A.I. Models available
- Auto-Iris Lens Drive Board
- Line Lock Phase Control Board
- VRB – 12/24 VDC/VAC Voltage Regulator Board
- Microphone Accessory (See EXAM.100)

Micro – Fixed Lenses – Replace xx with:

02 = 2.5 mm	04 = 3.6 mm	05 = 4.3 mm	06 = 6.0 mm
08 = 8.0 mm	12 = 12 mm	16 = 16 mm	25 = 25 mm

Product Image

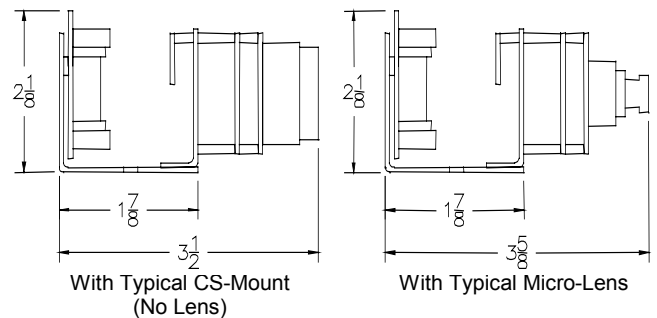


Specifications

(Example Spec for SX400 CCD - other CCD's available)

Model EX5SX.4xxLL

TV System	EIA (CCIR optional)
Video Signal Output	1 V p-p, 75 ohm
Sensor	1/3" LXR CCD
CCD Effective Pixels	537 (H) x 505 (V) – EIA
Sync. System	DC: Internal, AC: LL
Min. Illumination	0.01 lux @ F1.2 (SAGC on)
Resolution	420 TV Lines
S/N Ratio	>48 dB
Electronic Shutter	1/60 to 1/100,000 – EIA
Gamma Correction	0.45
Backlight Compensation	Auto Detect On/Off
Gain Control	AGC 30 dB; SAGC 36 dB
Operational Range	-10°C to +50°C (14°F to 122°F)
Humidity Range	Up to 80% relative humidity
Power Supply	12-24V DC or AC selectable
Power Draw	3.6 W Max.
Lens (standard Micro)	3.6mm, F2.0 wide angle lens
Lenses (Optional Micro)	2.5 / 2.9 / 6.0 / 8.0 / 12.0 / 16 mm
Lenses (Special Micro)	1.9 mm Fisheye, 25.0 mm Tele
Lenses (Micro VF-AI)	VA 256 / VA 408
Lenses (CS)	Various varifocals available



Dealer/Distributor

