

**Model Covered:**

**QPT-200 ... 115 VDC variable speed\***

**QPT-500 ... 115 VDC variable speed\***

\* with proper controller

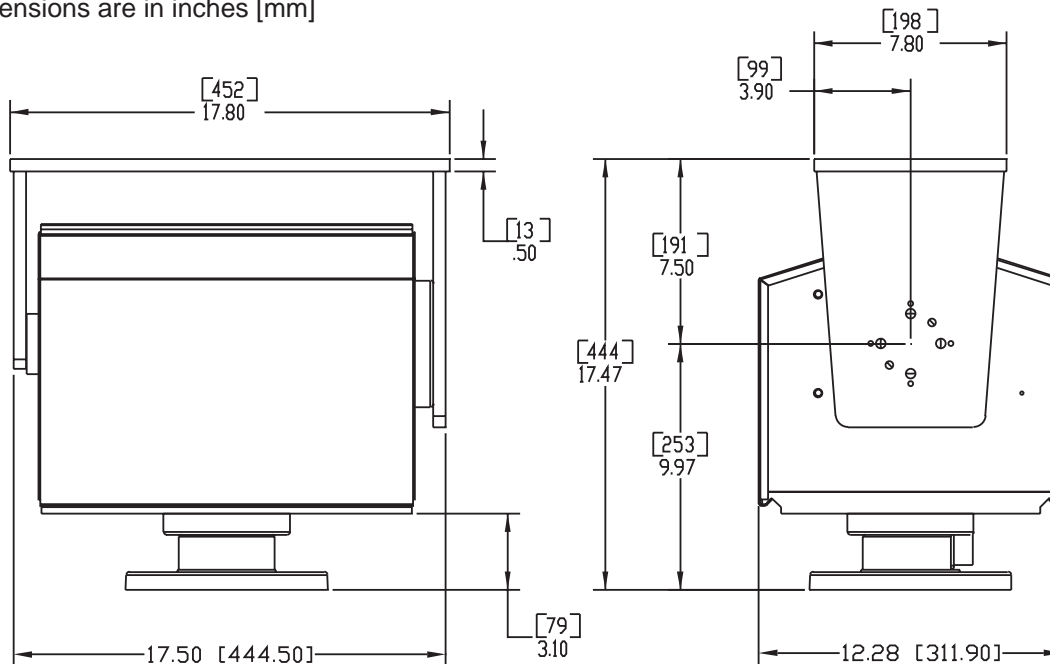
***Heavy Duty*** (for 200 & 500 pound loads)

**Electro-Mechanical Pan & Tilt**



MODEL	SERIES	DESCRIPTION
7-56050-1	QPT-200	115 VDC; pan $\pm 180^\circ$ , 10°/sec; tilt $\pm 90^\circ$ , 3°/sec with pots, heater, 0.25° repeatability
7-60056-2	QPT-500	115 VDC; pan $\pm 180^\circ$ , 10°/sec; tilt $\pm 90^\circ$ , 3°/sec with pots, heater, 0.25° repeatability

Dimensions are in inches [mm]



**KEY FEATURES:**

- Designed for Heavy Duty Operation
- 200 lbs. (91 kg) load capacity QPT-200
- 500 lbs. (227 kg) load capacity QPT-500
- 360° ( $\pm 180^\circ$ ) pan rotation, 180° ( $\pm 90^\circ$ ) tilt range
- All metal gearing, stainless steel external hardware
- Aluminum housing, stainless steel covers with powder coat finish
- Heater included
- Potentiometers included for position feedback

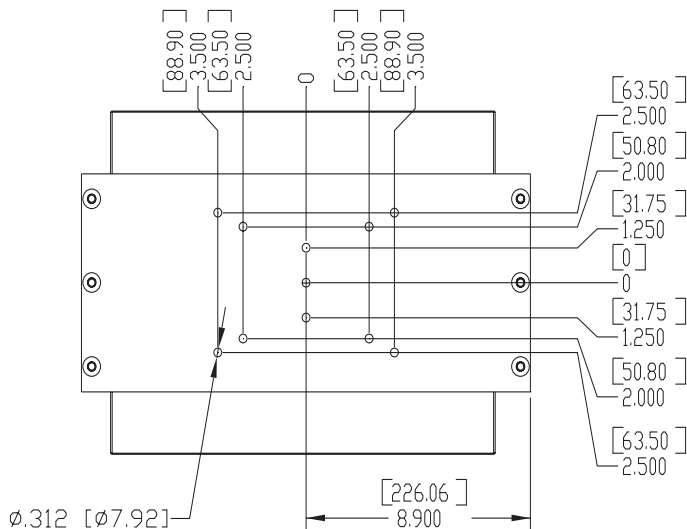
**For Those Who Demand Durability!**

# SPECIFICATIONS OF PAN & TILT QPT-200/QPT-500

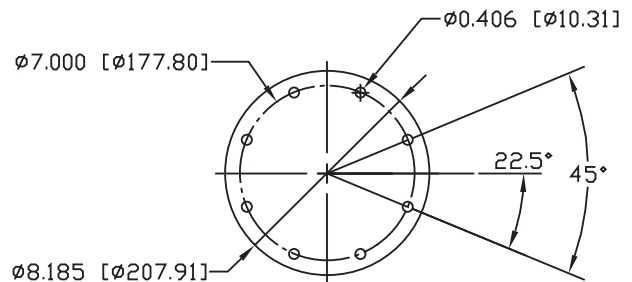
	<b>QPT-200</b>	<b>QPT-500</b>
<b>Voltage</b>	<b>115VDC</b>	<b>115VDC</b>
<b>Load Capacity</b>	200 lbs. (91 kg)	500 lbs. (227 kg)
<b>Duty Cycle</b>	Intermittent	Intermittent
<b>Pan Range</b>	360° (±180°)	360° (±180°)
<b>Pan Speed Range (± 1°)</b>	.4° - 10° / sec.	.4° - 10° / sec.
<b>Pan Torque</b>	60 foot-pounds	60 foot-pounds
<b>Pan Motor Current</b>	0.5 amp	0.5 amp
<b>Tilt Range</b>	180° (±90°)	180° (±90°)
<b>Tilt Speed Range (± 1°)</b>	.2° - 3° / sec.	.2° - 3° / sec.
<b>Tilt Torque</b>	200 foot-pounds	500 foot-pounds
<b>Tilt Motor Current</b>	0.5 amp	1.8 amp
<b>Motor Type</b>	Permanent Magnet	Permanent Magnet
<b>Connector</b> (mating connector included)	17 pin	17 pin
<b>Weight</b>	117 lbs. (53.2 kg)	122 lbs. (55.5 kg)
<b>Dimensions</b>	17.47"H x 17.8"W x 12.28"D (444mmH x 452mmW x 312mmD)	
<b>Drivetrain</b>	Steel gear & worm, ball & tapered roller bearings, steel chain	
<b>Limit Switches</b>	Internal, adjustable	
<b>Backlash</b>	Adjustable to 0	
<b>Repeatibility</b>	0.25°	
<b>Material</b>	Housing - Aluminum 6061 - T6, External Hardware & Covers - Stainless Steel	
<b>Exterior Color/Finish</b>	Dupont 326162A, Ford PFWS9 Powder Coated (custom colors/private labeling upon request)	
<b>Environmental Enclosure</b>	Gasketed & sealed to withstand water & dust penetration	
<b>Heater</b>	120 volt, 450 watt	
<b>Operating Temperature</b>	+5°F to +131°F ( -15°C to +55°C) (without heater operating) -22°F to +131°F (-30°C to +55°C) (with heater operating)	

\*Specifications may change without notice

## TABLE TOP MOUNTING HOLE DIMENSIONS



## BASE MOUNTING HOLE DIMENSIONS



Dimensions are in inches [mm]