



PT1280P/PT1280SL Pan/Tilt

OUTDOOR, HEAVY DUTY, FEEDTHROUGH

Product Features

- 120 VAC Operation
- Heavy Duty Adjustable Worm-Gear Final Drive
- Prewired for Zoom Lens, Camera and Enclosure Power, and Video
- 360° Pan Rotation Model Available
- Capable for Auto/Random Scan Operation
- Indoor/Outdoor Applications
- Maximum Load 100 Pounds (45.4 kg)



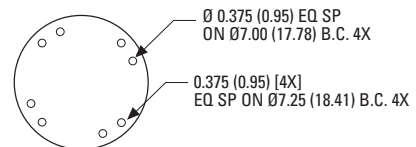
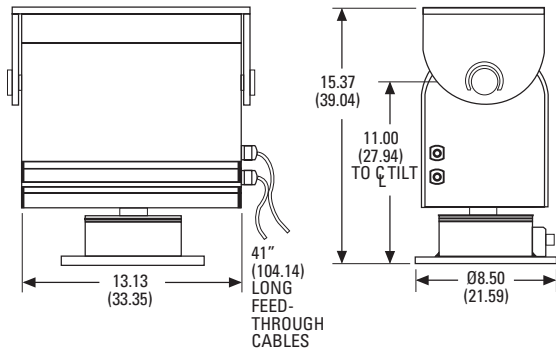
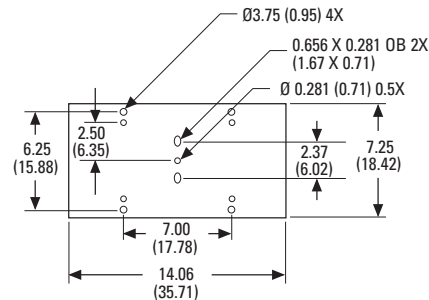
The **PT1280P/PT1280SL** are heavy duty, indoor/outdoor pan/tilts capable of handling loads up to 100 pounds (45.4 kg). They feature rugged high torque AC motors with adjustable worm-gear final drives to ensure long operational life, as well as drift-free operation.

The **PT1280P** Series are capable of auto/random scan operation when used with a Pelco solid-state auto/random scan control. No additional conductors, micro switches, or relays are required for auto scan operation.

These pan/tilts are factory prewired for feedthrough of all control functions — pan/tilt, motorized zoom lens, 24 VAC camera power, enclosure accessories, and video. All connections are made at the input connector, eliminating the need for wiring harnesses in the field. This feature greatly reduces installation time, while increasing the reliability and serviceability of the system.

The **PT1280SL** includes a slip ring option that allows 360-degree pan rotation.

These units can be mounted on Pelco's universal wall/pedestal mounts: the PM2000/PM2010 for pedestal mounting and the WM2000 with PA2010 adapter plate and ST1 support strut or WM3026 for wall mounting. The EH5700 Series large environmental enclosure is also compatible for use with this pan/tilt series.



NOTE: VALUES IN PARENTHESES ARE CENTIMETERS; ALL OTHERS ARE INCHES.



TECHNICAL SPECIFICATIONS

MODELS

PT1280P	Heavy duty pan/tilt, 120 VAC
PT1280P/PP	Same as PT1280P except has presets. Requires preset control.
PT1280SL	Heavy duty pan/tilt with SL option (360° pan rotation)
PT1280SL/PP	Same as PT1280SL except has presets. Requires preset control.

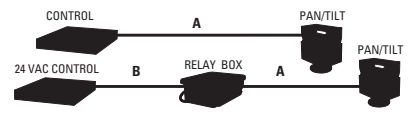
OPTIONS

FGP/1250P	High speed gearing for pan, 12°/sec
-----------	-------------------------------------

ELECTRICAL

Input Voltage	120 VAC, 60 Hz	
Power Requirements		
(Running)	Pan	0.48A (57.5 VA)
	Tilt	0.48A (57.5 VA)
(Starting)	Pan	0.60A (72.5 VA)
	Tilt	0.60A (72.5 VA)
Maximum Current	2A per conductor (SL model only)	
Connectors	AMP CPC type (mate supplied)	
Motors	Two-phase induction type, instantaneous reversing	
Limit Switches	5A each (pan and tilt); external adjustment	
Conductor Requirements	6 or 7, unshielded. (functions: left, right, up, down, motor common, safety ground). No additional conductors for auto scan when used with solid-state control. PP option requires additional 4 conductors	

Maximum Operating Distances



	Cable Size	Maximum Distance	
		A	B
PT1280P 6 Conductors	20 AWG (0.5 mm ²)	489 ft (149 m)	5,800 ft (1,767 m)
	18 AWG (1.0 mm ²)	778 ft (237 m)	8,250 ft (2,515 m)
	16 AWG (1.5 mm ²)	1,235 ft (376 m)	13,000 ft (3,962 m)
7* Conductors	20 AWG (0.5 mm ²)	978 ft (298 m)	
	18 AWG (1.0 mm ²)	1,556 ft (474 m)	
	16 AWG (1.5 mm ²)	2,470 ft (752 m)	

*Using 2 wire motor common

- Notes:
- Distance (A) from control to pan/tilt is the same as distance from relay box to pan/tilt.
 - Maximum operating distance can be extended by using a low voltage control (24 VAC) and a relay box. Distance (B) from control to relay box is the same for all applications.
 - Distances are calculated with both motors (pan and tilt) running and assuming a 10% voltage drop in the cable.

MECHANICAL

Pan	Movement in horizontal plane: 0-355° (PT1280P); 360° (PT1280SL) 6°/sec ±1° 50 ft-lb with specified voltage
Tilt	±90° movement in vertical plane 3°/sec ±0.5° 100 ft-lb with specified voltage
Speed	
Torque	
Maximum Load	100 lb (45.4 kg) at 5" (12.7 cm) from tilt table surface to center of gravity
Gearing	Adjustable worm-gear final drive
Bearings	
Pan	Heavy duty ball bearings
Tilt	Oilite bronze bushing
Duty Cycle	50% duty cycle; 30 minute rating

GENERAL

Construction	Aluminum casting and plate; all internal parts corrosion protected
Finish	Gray polyester powder coat
Environment	Indoor/outdoor; -10° to 120°F (-23° to 49°C)
Unit Weight	55 lb (24.9 kg)
Shipping Weight	60 lb (27.2 kg)

CERTIFICATIONS/RATINGS

- UL Listed
- Meets NEMA Type 3R standards

RECOMMENDED CONTROLS

Coaxitron or Matrix	See individual specification sheets for information. Preset pan/tilt must be used with Coaxitron or matrix control with PP capability and preset receiver.
MPTAZ Series RB115	Desktop control (PTZ) with auto/random scan. Relay box for 120 VAC pan/tilts. Extends operating distance (control to relay box). Use only with MPT24DT or MPTAZ24DT low voltage control.

RECOMMENDED ENCLOSURES

EH5700 Series	Environmental enclosure, large
---------------	--------------------------------

RECOMMENDED MOUNTS

PA2010	Adapter plate; required when using WM2000
PM2000, PM2010	Ceiling/pedestal mount; maximum load 125 lb (56.7 kg)
ST1	Support strut for WM2000/PM2000/PM2010
WM2000	Wall mount; use with PA2010 adapter and ST1 support strut
WM3026	Wall mount with adjustable head

ACCESSORIES

LL27 Series	Low light infrared illuminator.
-------------	---------------------------------



Pelco Worldwide Headquarters:
3500 Pelco Way, Clovis, California 93612-5699 USA
USA & Canada Tel: (800) 289-9100 • FAX (800) 289-9150
International Tel: (559) 292-1981 • FAX (559) 348-1120
www.pelco.com

Pelco and the Pelco logo are registered trademarks of Pelco. Specifications subject to change without notice. ©Copyright 2002, Pelco. All rights reserved.