

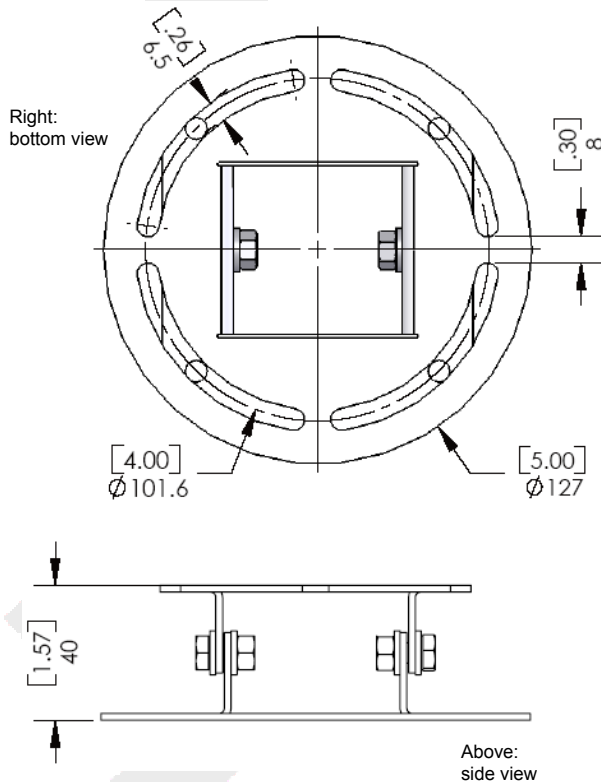
### Product Description

The EXMB.061 is a 4" PCD pole top bracket for a variety of Extreme CCTV Integrated Day-Night™ (IDN™) and license plate capture cameras.

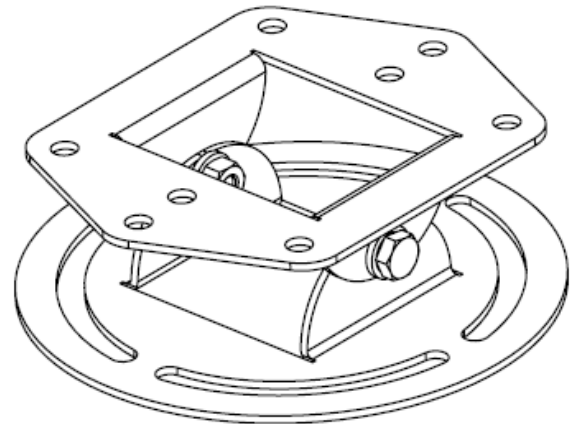
The EXMB.061 an innovative symmetrical design to help ensure balanced weight distribution. Robust stainless steel design provides hassle-free durability even through years of extreme weather abuse.

Fast, simple and easy to install, the EXMB.61 provides a clean sleek solution for pole mounted applications.

### Technical Drawings



### Product Image

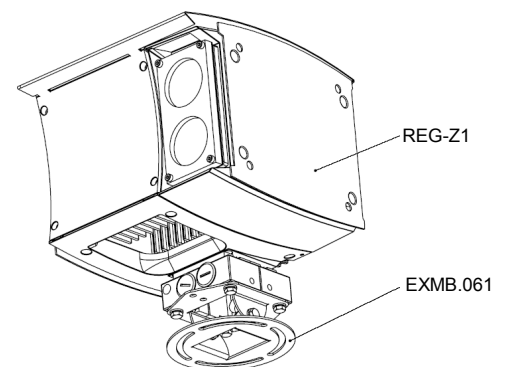


### Specifications

Construction	Stainless steel
Weight	0.3 kg (0.67 lbs)
Max Load	10 kg (22 lbs)
Min. Pole Top Diameter	105mm (4.13")

### Compatible Cameras

- [EX30](#)
- [EX38](#)
- [EX80](#)
- [EX82](#)
- [REG-L1](#)
- [REG-D1](#)
- [REG-Z1](#)
- [ZX55](#)



Above: An example of EXMB-061 in application with the REG-Z1 license plate capture camera.

Dealer / Distributor



Corporate Headquarters  
**Extreme CCTV Inc**  
TF: 1 888 409 2288  
T: +1 604 420 7711  
F: +1 604 420 3300  
E: Sales@ExtremeCCTV.com  
www.ExtremeCCTV.com



European Operations  
**Derwent Systems Ltd**  
A Division of Extreme CCTV (UK) Ltd  
T: +44 (0) 1670 730 187  
F: +44 (0) 1670 730 188  
E: SalesUK@DerwentCCTV.com  
www.DerwentCCTV.com