

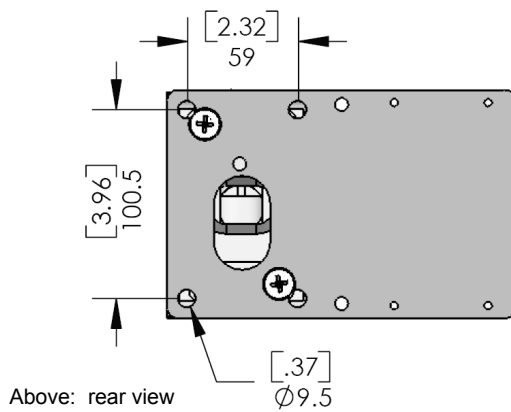
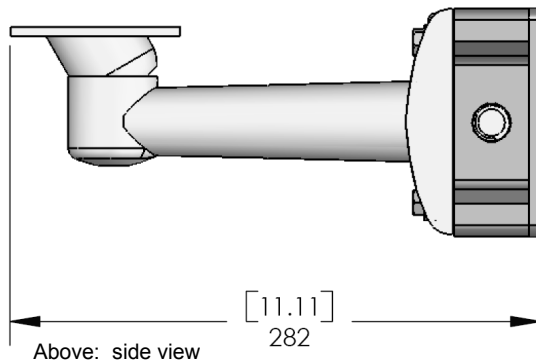
**Product Description**

The EXMB.060 is a cable managed wall bracket for the REG-Z1 license plate capture camera.

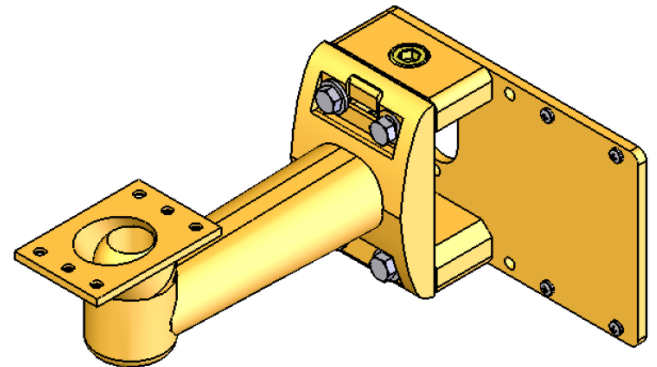
The EXMB.060 is designed for ease of installation. A hook-mount spacer box allows the REG-Z1 and bracket assembly to rest securely and temporarily, allowing the installer to use both hands to affix fastening hardware.

The EXMB.060 includes a backing plate with a space to mount the junction box included as standard with every REG-Z1 unit.

**Technical Drawings**

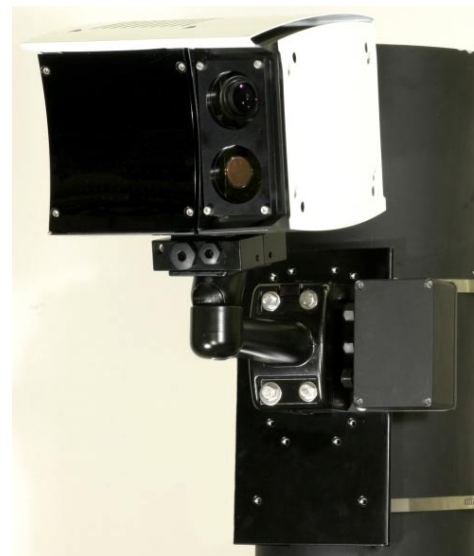


**Product Images**



**Specifications**

Construction:	CNC Aluminum
Finish:	Black
Weight:	1.2 kg (2.6 lbs)
Max Load:	10 kg (22 lbs)
Hardware:	All fastening hardware supplied



Above: REG-Z1 with EXMB.060 cable managed bracket and EXMB.015 pole mount adaptor.

Dealer / Distributor

