



Extreme CCTV™
SURVEILLANCE SYSTEMS

Precision Engineered Opto-Electronics™

INSTALLATION INSTRUCTIONS

EXMB.045

**Cast Aluminum Wall Bracket / Dome
Pendant Bracket**



www.ExtremeCCTV.com

Toll free: 1-888-409-2288
MAN-EXMB045-47-02



IMPORTANT

For best results, please read this Instruction Booklet prior to installing the **EXMB.045** brackets.

This installation should be made by a qualified service person and conform to all local codes.

EXTREME CCTV™ will not be responsible for injuries or damages resulting from the improper installation or use of any product sold by **EXTREME CCTV™**, their agents, distributors or dealers.

INDEX

| | <u>Page</u> |
|---|--------------------|
| Description | 1 |
| Unpacking | 2 |
| Parts List | 2 |
| Items Required for Installation..... | 2 |
| | |
| Section 1. General Arrangement..... | 3 |
| Section 2. Mounting Bracket | 4 |
| Section 3. Attaching Camera..... | 8 |
| Section 4. General Specifications | 11 |

DESCRIPTION

*The **EXMB.045/EXMB.047 Dome Pendant Bracket*** is a heavy duty wall bracket for pendant mounting Extreme CCTV dome cameras and LED infrared illuminators. The cast aluminum design allows for easy cable management and toughened 4-bolt anchorage.

Contact Extreme CCTV™ for information.

- sales@ExtremeCCTV.com
- Tel: 1-888-409-2288 (Toll free NA)

See the Light. Get the Picture.™

UNPACKING

Care should be taken when unpacking. Check the parts list and confirm all items have been located. Inspect the equipment thoroughly to ensure nothing was damaged in transit.

PARTS LIST (items supplied with unit)

- Installation Instructions
- Plastic Bag containing one ½” cable gland, one ½” plug, one #4 set screw, four #6 panhead screws, four #6 lock washers, one mounting gasket, and one #4 Allen key.

Note: *Anchorage bolts are not supplied.*

ITEMS REQUIRED FOR INSTALLATIONS

(not supplied with unit)

- Phillips screwdriver
- Hardware for bracket mounting (bolts, etc.)

1. GENERAL ARRANGEMENT

(See *Section 7 - General Specifications*, for additional information)

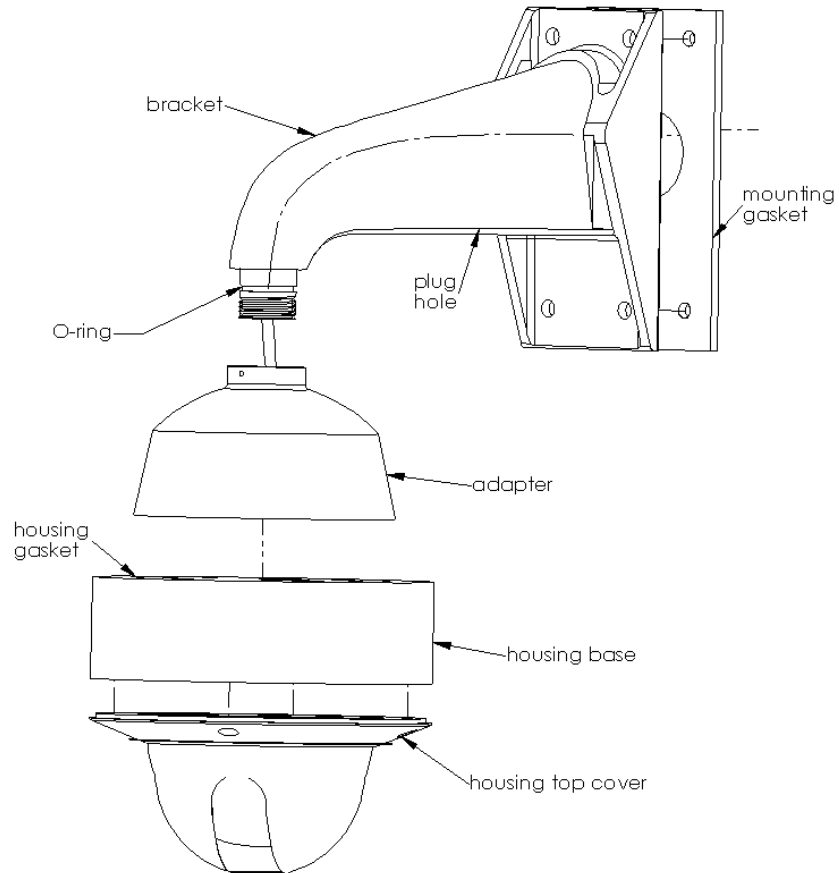


FIGURE 1 – 1
Front View

2. MOUNTING BRACKET

Select a suitable location that is protected from accidental damage, tampering, and environmental conditions exceeding the specifications of the camera to be mounted.

Caution: Ensure the selected location is protected from falling objects, accidental contact with moving objects, and unintentional interference from personal. Follow all applicable building codes.



The following installation guidelines must be followed:

- Locate the bracket such that it cannot be easily interfered with, either intentionally or accidentally.
- Select a smooth, flat mounting surface to ensure proper sealing. The surface must also be capable of supporting the combined weight of the camera and mounting hardware under all expected conditions of vibration and temperature.
- Secure all cabling.

- Installations on drywall must use #8 screws and #8 drywall nylon plugs or other superior connection.

Step 3.1 - Aligning the four holes on the back of the bracket with the four holes on the rectangular gasket, apply the adhesive backing.

Step 3.2 - Probe the power and video cables through the bracket.

Step 3.3 - Mount bracket to the wall. See diagrams on page 8 for correct mounting positions.

Step 3.4 - Thread plug into hole on bottom of bracket.

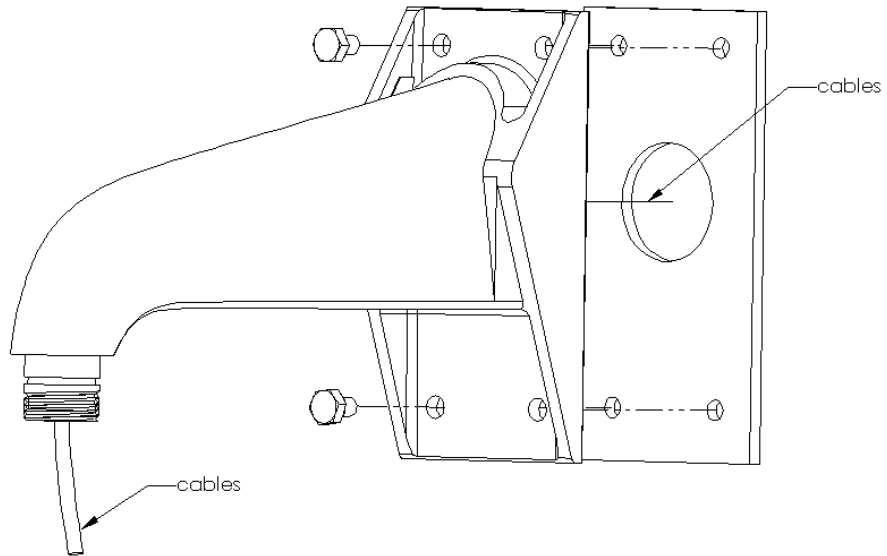


FIGURE 2 – 1
EXMB.045/EXMB.047 Mounting Direction



FIGURE 2 – 2
Hole Mounting Diagram

3. ATTACHING CAMERA

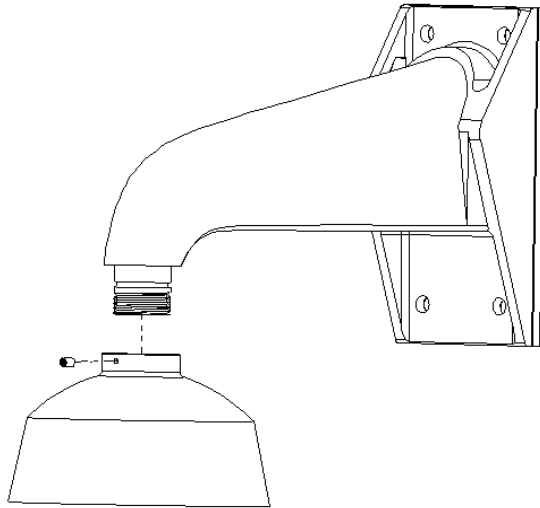


FIGURE 3 – 1
EXMB.045/EXMB.047 Adapter Assembly

- Step 3.1 - Unscrew the four bolts from the EX-housing and remove top cover of dome.
- Step 3.2 - Poke hole through round housing gasket using a screwdriver. Feed camera leads through hole and housing base.
- Step 3.3 - Connect the leads of the camera to the leads from the wall, making sure

that the connections are within the adapter.

Step 3.4 - Screw flat side of housing base to adapter using the four supplied screws and pattern specified in the table below.

Step 3.5 - Attach camera and connect cables.

Step 3.6 - Reattach housing top cover to housing base.

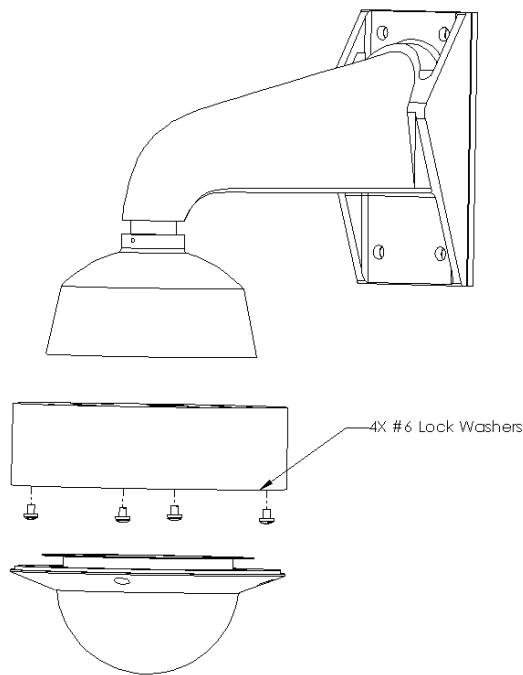


FIGURE 3 – 2
Attaching Camera Housing

Table 3.1 -

| Pattern to Use | Product |
|----------------------------------|-------------------------|
| A Pattern #6 EXMB.045 | EX 44/45/46 |
| A Pattern #6 EXMB.047 | WZ 46/47 EX 47 |

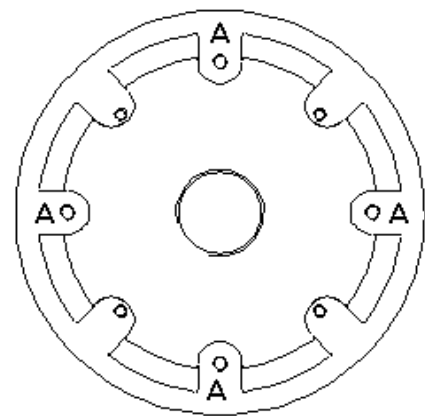


FIGURE 3 - 3
Pattern A

4. GENERAL SPECIFICATIONS

| | |
|-------------|--|
| Material: | Cast Aluminum |
| Coating: | Powder coated, black or silver |
| Dimensions: | H = 152 mm W = 76.2 mm Depth = 285 mm |
| Weight: | 1.3 kg |
| Max Load: | 34 kg |

Subject To Change Without Notice.

NOTES



Extreme CCTV®

SURVEILLANCE SYSTEMS

Canada 3021 Underhill Avenue,
Burnaby, BC V5A 3C2

USA 3873 - C Airport Way,
PO Box 9754,
Bellingham, WA 98227

tel 1-888-409-2288 (toll free)

1-604-420-7711

fax 1-604-420-3300

e-mail tech@ExtremeCCTV.com

Web www.ExtremeCCTV.com

Europe Colbourne Cres.
Cramlington, Northumberland
United Kingdom, NE23 1WB

Tel +44 (0) 1670.730.187

Fax +44 (0) 1670.730.188

Dealer / Distributor: