

Product Description

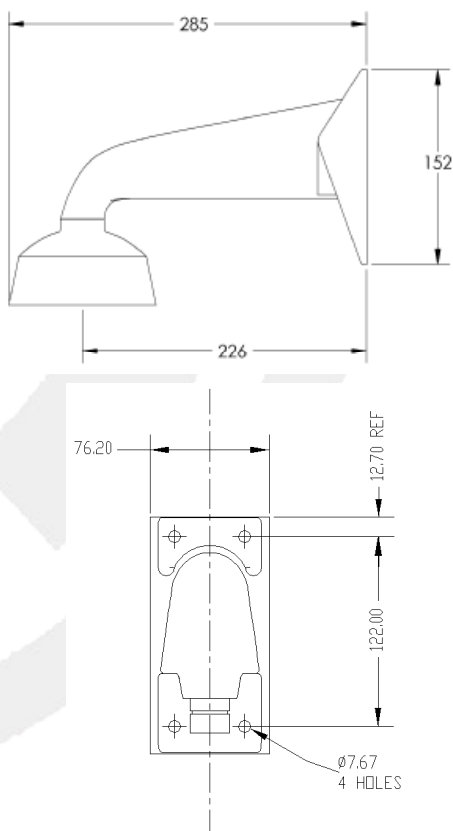
A heavy duty wall bracket for pendant mounting of Extreme CCTV dome cameras and LED infrared illuminators. Cast aluminum design allows for cable management and tough 4-bolt anchorage.

Key Features

- Attractive cast metal design
- Hollow core for cable-free appearance
- Tough 4-bolt anchorage
- Compatible for various dome cameras

Technical Drawings

Note: All dimensions in millimetres



Product Image



Specifications

Material	Cast Aluminum
Coating	Powder coated, black or silver
Weight	2.8 lbs (1.3 kg)
Max Load	75 lbs (34 kg)
Hardware	Two piece design: bracket & adaptor (Anchorage bolts not supplied)

Compatible Camera Housings

Extreme CCTV	EX44
Extreme CCTV	EX45
Extreme CCTV	EX46

Part Numbers

EXMB.045b	Extreme Pendant Bracket – black
EXMB.045s	Extreme Pendant Bracket – silver

Dealer / Distributor



Corporate Headquarters
Extreme CCTV Inc
 TF: 1 888 409 2288
 T: +1 604 420 7711
 F: +1 604 420 3300
 E: Sales@ExtremeCCTV.com
 www.ExtremeCCTV.com



European Operation
Derwent Systems Ltd
 A Division of Extreme CCTV (UK) Ltd
 T: +44 (0) 1670 730 187
 F: +44 (0) 1670 730 188
 E: SalesUK@DerwentCCTV.com
 www.DerwentCCTV.com