

Product Description

An adaptor designed specifically to integrate Extreme CCTV's award winning cameras to Pelco's Parapet Mount. The adapter allows the upgrade from daytime only dome cameras to high-power, Integrated Day Night (IDN™) surveillance solutions. The EXMB.030's fast, simple installation enables security professionals to offer high-performance, 24/7 security under all lighting conditions, including total darkness.

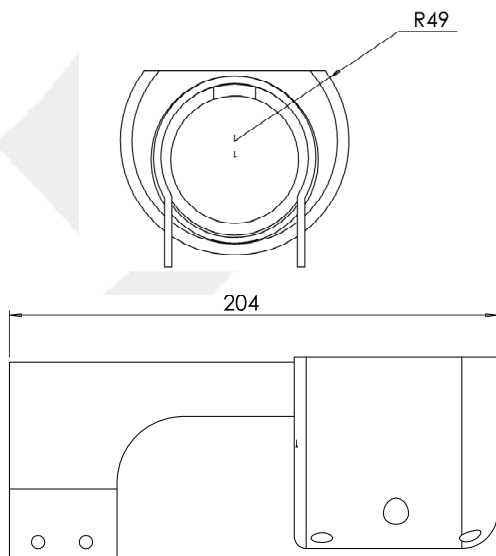
Key Features

- Specifically designed for Pelco Parapet Mounts
- Allows for instant upgrades to IDN™ Cameras
- Quick and easy installation
- Cable Managed

Specifications

Construction	CNC Aluminium
Finish	Powder Coated White
Dimension	49mm x 204mm
	2" x 8"
Weight	2 lbs (0.9kg)

Technical Drawings



Product Image



Above: EXMB.030 Parapet Mount Adaptor



Above: EXMB.030 Adaptor Integrated with Pelco Parapet Rooftop Mount and Extreme CCTV EX82 IDN™. The adaptor and camera can be rotated downward to view street level activity

Compatible Camera Housings

Extreme CCTV	EX38	} Use with BRK-18-0002 and BRK-18-0003
Extreme CCTV	EX82	
Extreme CCTV	MECC	
Extreme CCTV	ZX55	

Compatible Mounts

Pelco Parapet	PP350 / PP351 / PP450 / PP451
---------------	-------------------------------

Dealer / Distributor

