

Key Features

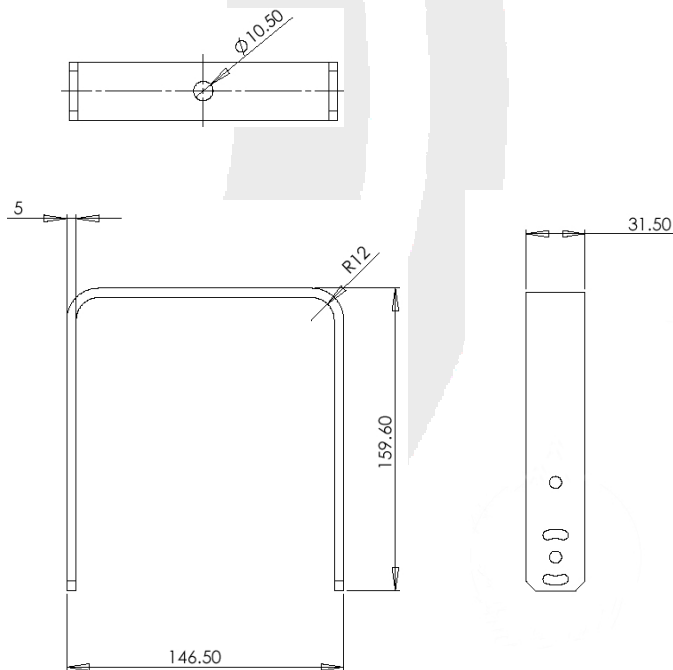
- Made of thick cast aluminum
- Pan/tilt adjustable camera platform
- Designed for secure ceiling mount applications
- Lightweight design weighing 0.41lbs (0.19kg)

Product Description

Ceiling mount bracket designed for ceiling mount applications. The thick cast aluminium is extremely durable and tough while its versatile design enables compatibility with Extreme CCTV's REG-L1 Licence Plate Capture camera.

The EXMB.029 bracket weighs only 0.41lbs (0.19kg) with a max load of 22lbs (10kg) and is pan/tilt adjustable for fast and easy installations.

Technical Drawings



*All measurements are in millimetres

Product Image



Specifications

Construction	Cast aluminum
Finish	Black
Weight	0.41lbs (0.19kg)
Max load	22lbs (10kg)
Max tilt	20° from vertical

Compatible Camera

Extreme CCTV REG-L1



EXMB.029B bracket is shown here with the REG-L1 License Plate Capture camera. The bracket design allows for secure ceiling mount applications e.g. parkade ceilings or overhangs.

Dealer / Distributor



Corporate Headquarters
Extreme CCTV Inc
TF: 1 888 409 2288
T: +1 604 420 7711
F: +1 604 420 3300
E: Sales@ExtremeCCTV.com
www.ExtremeCCTV.com



European Operation
Derwent Systems Ltd
A Division of Extreme CCTV (UK) Ltd
T: +44 (0) 1670 730 187
F: +44 (0) 1670 730 188
E: SalesUK@DerwentCCTV.com
www.DerwentCCTV.com