

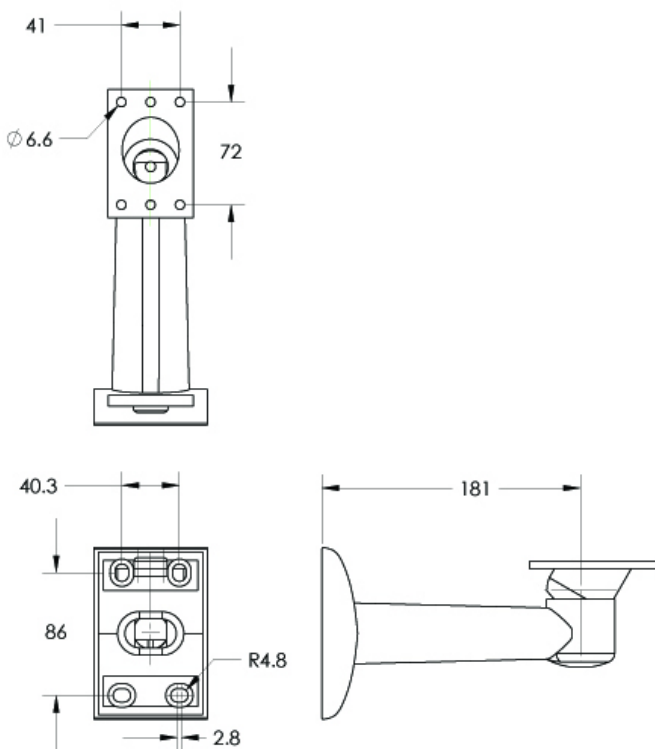
### Key Features

- Made with thick cast aluminum
- Pan/Tilt adjustable camera platform
- Tough 4-bolt anchorage
- Light weight design weighing 1.0lbs (0.45kg)

### Product Description

A heavy-duty wall bracket designed for rugged outdoor applications. The thick cast aluminium is extremely durable and tough while its versatile design enables compatibility with Extreme CCTV's REG™ D1 and REG™ L1 cameras. The design enables complete cable management, concealing wires for maximum protection and aesthetics. The EXMB.028 bracket weighs only 1.0lbs (0.45kg) and pan/tilt adjustable for convenience and customized surveillance angles.

### Technical Drawings



\*All measurements are in millimetres

### Product Image



### Specifications

<b>Construction</b>	Cast aluminum
<b>Finish</b>	Black or White
<b>Weight</b>	0.45kg / 1.0lbs

### Compatible Camera / Illuminator Housings

Extreme CCTV	<a href="#">REG™ D1</a>
Extreme CCTV	<a href="#">REG™ L1</a>



EXMB.028 bracket is shown here with the REG D1 License Plate Capture camera. The bracket design allows for complete cable management

Dealer / Distributor



Corporate Headquarters  
**Extreme CCTV Inc**  
 TF: 1 888 409 2288  
 T: +1 604 420 7711  
 F: +1 604 420 3300  
 E: Sales@ExtremeCCTV.com  
 www.ExtremeCCTV.com



European Operation  
**Derwent Systems Ltd**  
 A Division of Extreme CCTV (UK) Ltd  
 T: +44 (0) 1670 730 187  
 F: +44 (0) 1670 730 188  
 E: SalesUK@DerwentCCTV.com  
 www.DerwentCCTV.com