

Key Features

- Fits into standard T-bar drop ceilings
- Swivel Disc allows a 360° rotation for view positioning
- Light weight aluminum design

Product Description

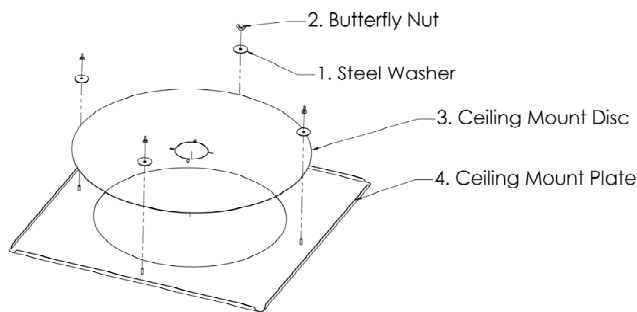
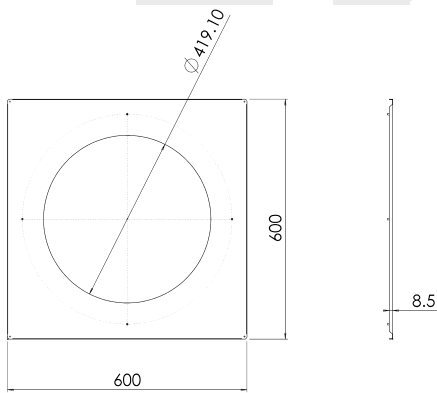
A metal T-bar ceiling panel insert conveniently fits Extreme CCTV dome cameras and wedge cameras. At 23.6 inches square, it can be immediately installed to standard T-bar ceilings. A Swivel Disc plate allows directional rotation of the camera.

Applications

- Drop-Ceiling surveillance
- Hallways, corridors, offices, airports

Technical Drawings

Note: All dimensions in millimetres



Product Image



↑: EXMB.024 Ceiling Panel Adaptor shown with an EX7 Camera.

Compatible Cameras

Dome Type: [EX44](#), [EX45](#), [EX46](#), [EX47](#), [EX48](#), [EX49](#)
 Wedge Type: [EX7](#), [EX8](#)



Specifications

Material	1mm Thick Aluminium Sheet
Coating	Powder coated, White
Weight	2.82 lbs (1.28 kg)
Dimensions	600 mm x 600 mm x 8.5 mm

Dealer / Distributor

