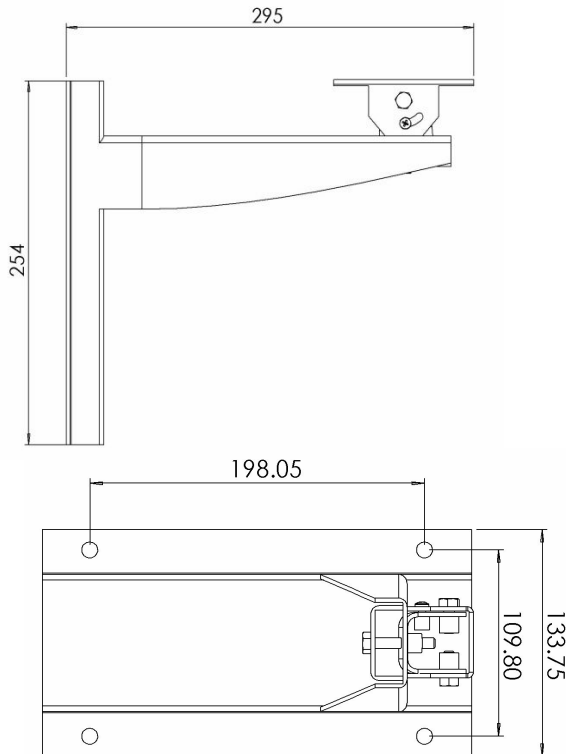
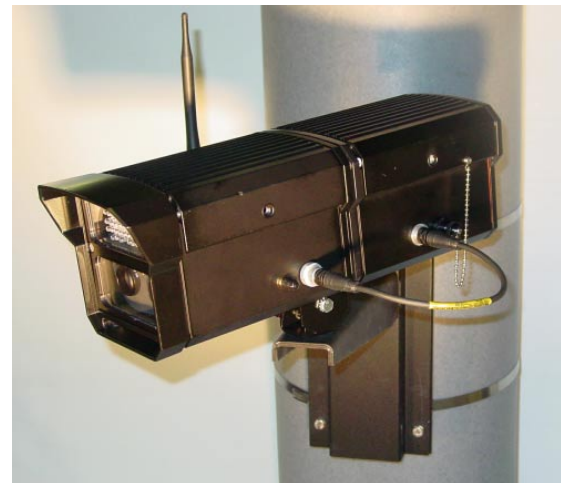
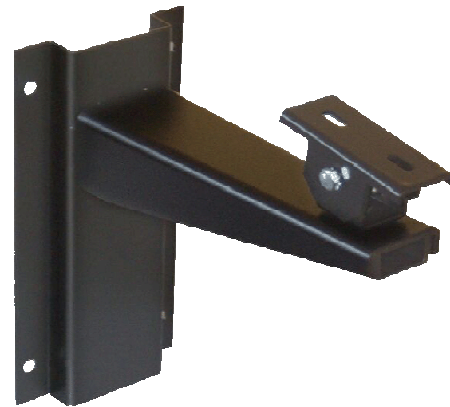


Product Description

A versatile heavy-duty wall bracket with a double-bolt tilt head to carry 50 lbs of load. The flat plate top has bolt hole arrangements to suit many camera housings for Extreme CCTV models and those made by Pelco, EMI and Batko.

Technical Drawings

Product Image


Above: An EX82MECC1.5 and its EXMB.006 wall bracket is attached to a pole with an EXMB.015, pole mount adaptor.

Specifications

Construction	Aluminum, alloy #3105H14
Finish	Polyurethane coating, black
Dimension	133mm (W) x 298mm (L) x 254mm(H) 5.25" (W) x 11.75" (L) x 10.0" (H)
Weight	2.45 lbs (1.1 kg)

Compatible Camera Housings

Extreme CCTV	EX38
Extreme CCTV	EX82
Extreme CCTV	EX82MECC1.5

Dealer / Distributor



Corporate Headquarters
Extreme CCTV Inc
 TF: 1 888 409 2288
 T: +1 604 420 7711
 F: +1 604 420 3300
 E: Sales@ExtremeCCTV.com
 www.ExtremeCCTV.com



European Operation
Derwent Systems Ltd
 A Division of Extreme CCTV (UK) Ltd
 T: +44 (0) 1670 730 187
 F: +44 (0) 1670 730 188
 E: SalesUK@DerwentCCTV.com
 www.DerwentCCTV.com