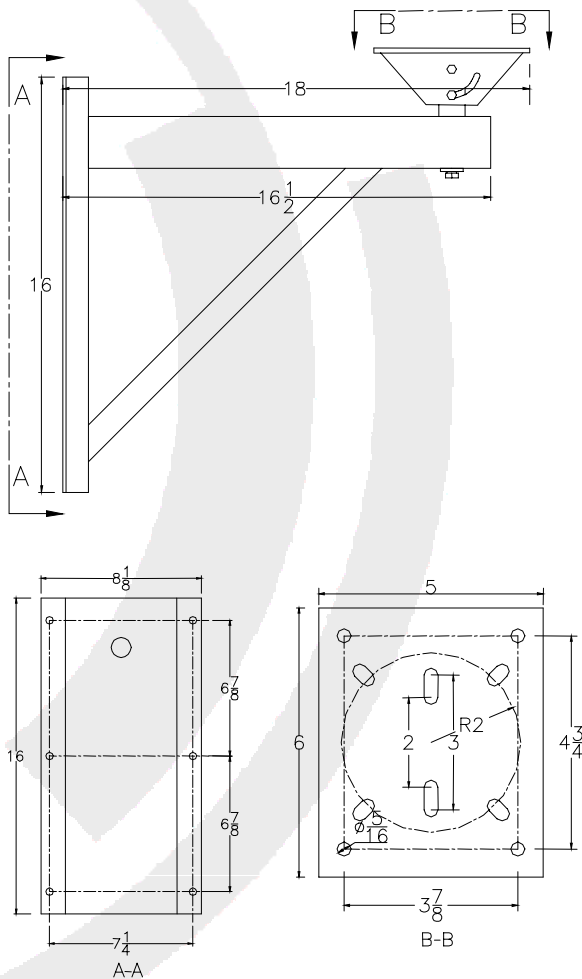


Product Description

This heavy duty wall bracket has enough capacity to carry the heaviest camera housing and infrared illuminator combinations.

Technical Drawings

Note: Drawings are NTS: Dimensions in inches. 1" = 25.4 mm


Product Image


Above ↑: **EXMB.005**

Notes:

1. Wall mounting hardware not included
2. Tilt Range: 0° - 45°, Pan Range: +/- 90°

Specifications

Material	2.0" square aluminum
Coating	Black (Standard) White (Optional)
Weight	4.8 lbs (2.2 kg)
Maximum Load	75 lbs (34 kg) on Tilt-Head 250 lbs (114 kg) on Main Beam
Hardware	Nickel Coated Steel Bolts and Nuts 1 Bolt 5/16-18 x 1.00" (Pan Adjust Lock) 1 Bolt 5/16-18 x 1.75" (Tilt Adjust) 1 Bolt 1/4-20 x 1.75" (Tilt Adjust Lock)

Compatible Camera Housings

Extreme CCTV	EX62
Extreme CCTV	EX63
Extreme CCTV	EX28

Dealer / Distributor



Corporate Headquarters
Extreme CCTV Inc
 TF: 1 888 409 2288
 T: +1 604 420 7711
 F: +1 604 420 3300
 E: Sales@ExtremeCCTV.com
 www.ExtremeCCTV.com



European Operation
Derwent Systems Ltd
 A Division of Extreme CCTV (UK) Ltd
 T: +44 (0) 1670 730 187
 F: +44 (0) 1670 730 188
 E: SalesUK@DerwentCCTV.com
 www.DerwentCCTV.com