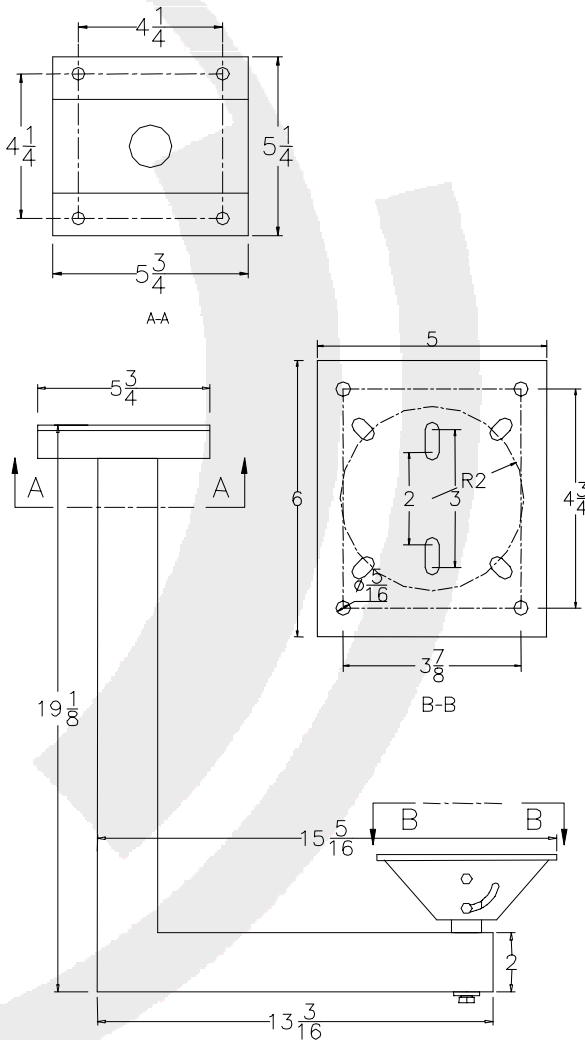


**Product Description**

This heavy duty bracket is designed to fit large CCTV enclosures as a ceiling bracket or (inverted) as a pedestal bracket. Its double-bolted pan/tilt head ensures anchorage under vibration loads. The pan-adjust bolt on the underside can also be used to hand infrared illuminators such as Extreme CCTV's UF100 and UF500 models.

**Technical Drawings**

Note: Drawings are NTS: Dimensions in inches. 1" = 25.4 mm


**Product Image**

**Notes:**

1. Wall mounting hardware not included
2. Tilt Range: 0° - 45°, Pan Range: +/- 90°

**Specifications**

|                     |  |
|---------------------|--|
| <b>Material</b>     | 2.0" square aluminum                     |
| <b>Coating</b>      | Black (Standard) White (Optional)        |
| <b>Weight</b>       | 4.0 lbs (1.8 kg)                         |
| <b>Maximum Load</b> | 50 lbs (22.7 kg)                         |
| <b>Hardware</b>     | Nickel Coated Steel Bolts and Nuts       |
|                     | 1 Bolt 5/16-18 x 1.00" (Pan Adjust Lock) |
|                     | 1 Bolt 5/16-18 x 1.75" (Tilt Adjust)     |
|                     | 1 Bolt 1/4-20 x 1.75" (Tilt Adjust Lock) |

**Compatible Camera Housings**

|              |                      |
|--------------|----------------------|
| Extreme CCTV | <a href="#">EX15</a> |
| Extreme CCTV | <a href="#">EX62</a> |
| Extreme CCTV | <a href="#">EX63</a> |

Dealer / Distributor



Corporate Headquarters  
**Extreme CCTV Inc**  
 TF: 1 888 409 2288  
 T: +1 604 420 7711  
 F: +1 604 420 3300  
 E: Sales@ExtremeCCTV.com  
 www.ExtremeCCTV.com



European Operation  
**Derwent Systems Ltd**  
 A Division of Extreme CCTV (UK) Ltd  
 T: +44 (0) 1670 730 187  
 F: +44 (0) 1670 730 188  
 E: SalesUK@DerwentCCTV.com  
 www.DerwentCCTV.com