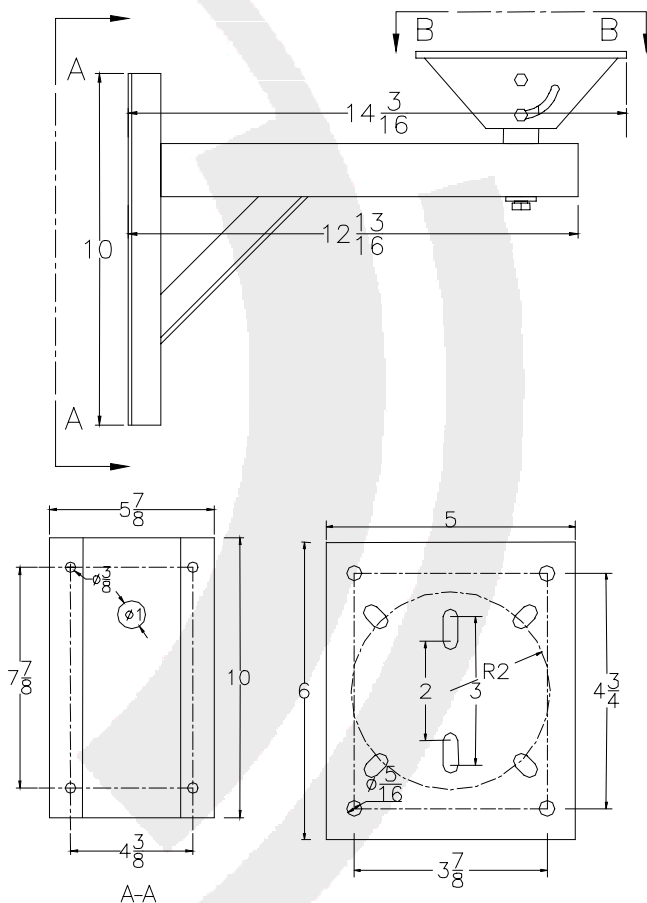


**Product Description**

A versatile heavy-duty wall bracket with a double-bolt tilt head to each carry 50 lbs of load. The flat plate top has bolt hole arrangements to suit many camera housings for Extreme CCTV models and those made by Pelco, EMI and Batko.

**Technical Drawings**

Note: Drawings are NTS: Dimensions in inches. 1" = 25.4 mm


**Notes:**

1. Wall mounting bolts not included
2. Tilt Range: 0° - 45°, Pan Range: +/- 180°

**Product Image**

**Specifications**

<b>Material</b>	1.5" square aluminum
<b>Coating</b>	Black (Standard) White (Optional)
<b>Weight</b>	3.5 lbs (1.5 kg)
<b>Maximum Load</b>	50 lbs (22.7 kg)
<b>Hardware</b>	Nickel Coated Steel Bolts and Nuts 1 Bolt 5/16-18 x 1.00" (Pan Adjust Lock) 1 Bolt 5/16-18 x 1.75" (Tilt Adjust) 1 Bolt 1/4-20 x 1.75" (Tilt Adjust Lock)
<b>Dimensions</b>	298mm (H) x 133mm (W) x 317mm (L) 11.75" (H) x 5.25" (W) x 12.5" (L)

**Compatible Camera Housings**

Extreme CCTV	<a href="#">EX15</a>
Extreme CCTV	<a href="#">EX52</a>
Extreme CCTV	<a href="#">EX60</a>
Extreme CCTV	<a href="#">EX62</a> , <a href="#">EX63</a>

Dealer / Distributor



Corporate Headquarters  
**Extreme CCTV Inc**  
 TF: 1 888 409 2288  
 T: +1 604 420 7711  
 F: +1 604 420 3300  
 E: Sales@ExtremeCCTV.com  
 www.ExtremeCCTV.com



European Operation  
**Derwent Systems Ltd**  
 A Division of Extreme CCTV (UK) Ltd  
 T: +44 (0) 1670 730 187  
 F: +44 (0) 1670 730 188  
 E: SalesUK@DerwentCCTV.com  
 www.DerwentCCTV.com