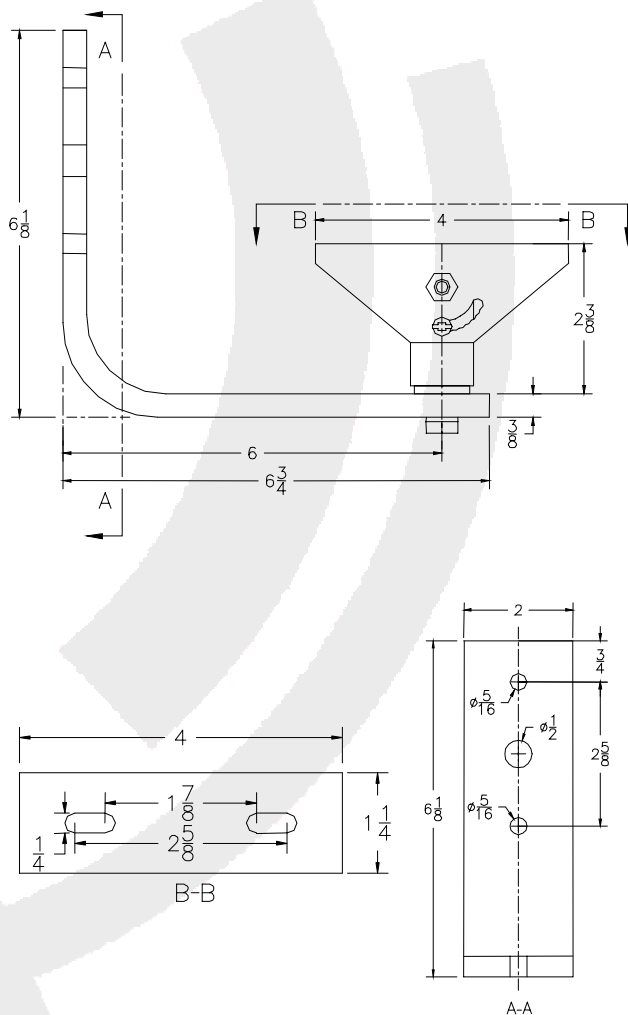


Product Description

This heavy duty wall bracket is designed to fit small enclosures for tight locations. Its double-bolted pan/tilt head ensures anchorage under vibration loads. The pan-adjust bolt on the underside can also be used to hang infrared illuminators such as Extreme CCTV's UF100 and UF500 models.

Technical Drawings

Note: Drawings are NTS: Dimensions in inches. 1" = 25.4 mm



Product Image



Notes:

1. Wall mounting hardware not included
2. Tilt Range: 0° - 45°
3. Pan Range: +/- 90°

Specifications

Material	3/8" thick aluminum
Coating	Black (Standard) White (Optional)
Weight	1.2 lbs (0.55 kg)
Maximum Load	25 lbs (11.4 kg)
Hardware	Nickel Coated Steel Bolts and Nuts
	1 Bolt 5/16-18 x 1.00" (Pan Adjust Lock)
	1 Bolt 5/16-18 x 1.75" (Tilt Adjust)
	1 Bolt 1/4-20 x 1.75" (Tilt Adjust Lock)

Compatible Camera Housings

Extreme CCTV [EX50](#) Explosion Protected

Dealer / Distributor



Corporate Headquarters
Extreme CCTV Inc
 TF: 1 888 409 2288
 T: +1 604 420 7711
 F: +1 604 420 3300
 E: Sales@ExtremeCCTV.com
 www.ExtremeCCTV.com



European Operation
Derwent Systems Ltd
 A Division of Extreme CCTV (UK) Ltd
 T: +44 (0) 1670 730 187
 F: +44 (0) 1670 730 188
 E: SalesUK@DerwentCCTV.com
 www.DerwentCCTV.com