

Product Description

The optional heater and blower for the EX60 Explosion Protected housing is designed to keep your camera lens warm or cool while also keeping frost or mist from forming on the glass view window.

The EXHB.600 Series kit comes with three main components:

1. Relay Control Board
2. Sensor Control Board
3. Heater / Blower Ring

Specifications

(Other Special Order Models available on request)

EXHB.600 Series – Heater / Blower

Heater and Fan On	<4 °C
Heater and Fan Off	>5° C
Fan On Only	> 40°C
Input Voltage	12 VDC or 24 VAC
Temperature Range	-40°C to +40°C
Relay	10A, SPDT
Fan	DC Brushless

Part Numbers

(Other Special Order Models available on request)

EXHB.612	12 V model, 12 –15 VAC, 28.8 Watts, 2.4 A
EXHB.624	24 V model, 24 VAC, 38.4 Watts, 1.6 A

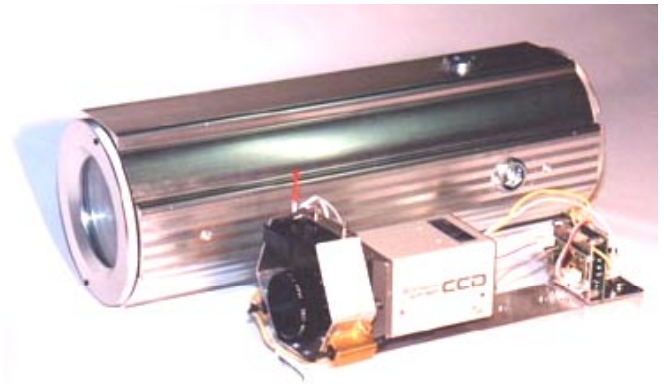
Notes:

1. Do not remove the Desiccant Pack.
2. Do not exceed the maximum allowable temperature limit of your hazardous environment.

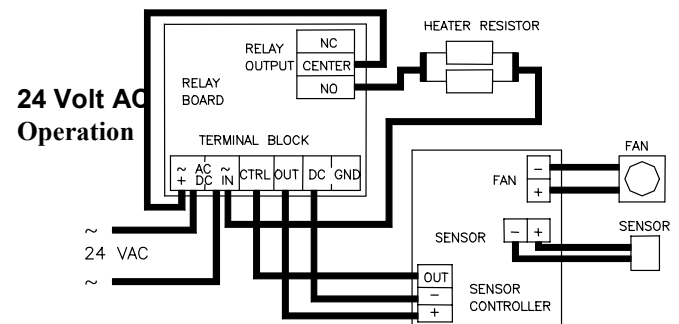
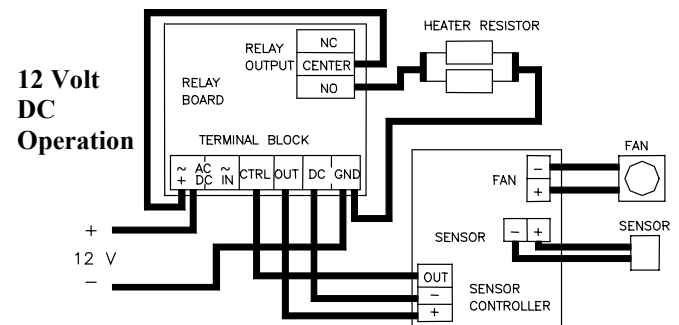
A&E

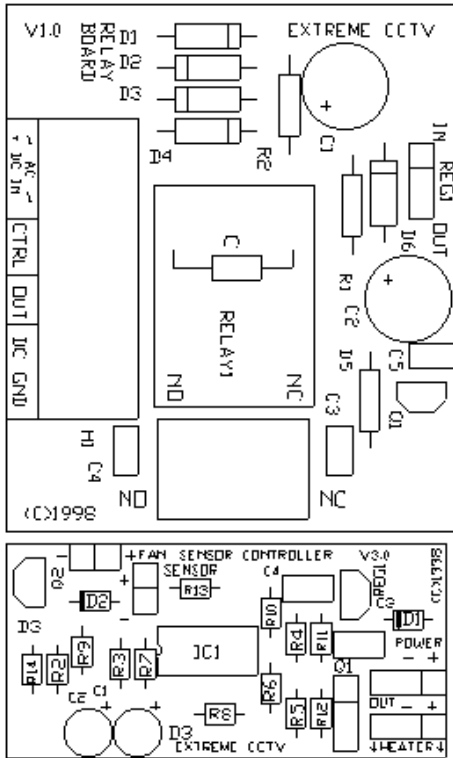
- Available on request
Contact: sales@ExtremeCCTV.com

Product Image

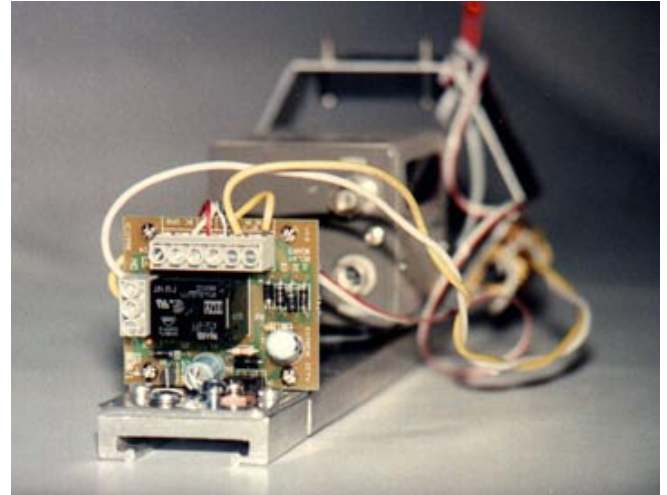


Above: Heater, blower and thermostat surrounding the lens is designed to keep the lens and glass area above freezing temperatures. A controller board installed at the rear of the slide tray allows for easy connection to power at 12 VDC or 24 VAC.



Technical Drawings


Note: The use of explosion protected housings may be subject to local or regional regulatory approval. The authorities having jurisdiction for each installation and application may vary and their respective requirements may differ. The integration of your equipment within the EX60 may also be subject to local authority approval. While Extreme CCTV is not responsible for these specific requirements, it will make available the test plans and certifications if necessary to assist its customers with the requirements of local authorities.


RELAY CONTROL BOARD
6-position terminal block

- ~ AC/DC Input (12VAC-24VAC or 14-24VDC)
- ~ AC/DC Input (12VAC-24VAC or 14-24VDC)
- CTRL Control, +12VDC in to trigger relay on/off
- OUT +12VDC out for camera and temperature sensor
- DC GND DC power ground, camera, sensor controller, video

3-position terminal block

- NO Normally open on relay, trigger relay to close switch
- Center Common for NO and NC
- NC Normally closed, trigger relay to open switch

SENSOR CONTROL BOARD
FAN

- + +DC out, to positive lead on fan
- Ground for fan
- Sensor Temperature sensor, mounts beside fan

POWER

- + +12VDC in, from RELAY BOARD
- Ground
- Output signal from sensor, to CTRL on RELAY BOARD

Dealer / Distributor



Corporate Headquarters
Extreme CCTV Inc
 TF: 1 888 409 2288
 T: +1 604 420 7711
 F: +1 604 420 3300
 E: Sales@ExtremeCCTV.com
 www.ExtremeCCTV.com



European Operation
Derwent Systems Ltd
 A Division of Extreme CCTV (UK) Ltd
 T: +44 (0) 1670 730 187
 F: +44 (0) 1670 730 188
 E: SalesUK@DerwentCCTV.com
 www.DerwentCCTV.com