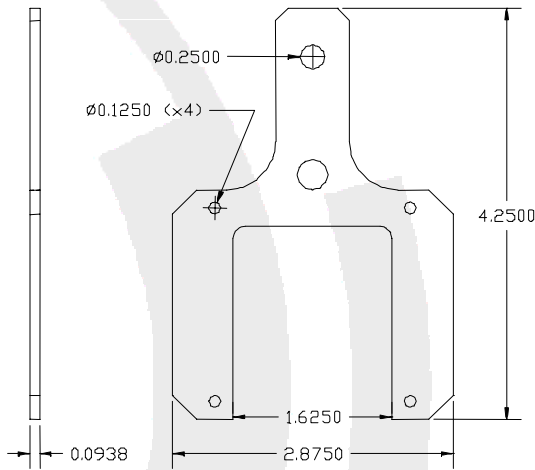


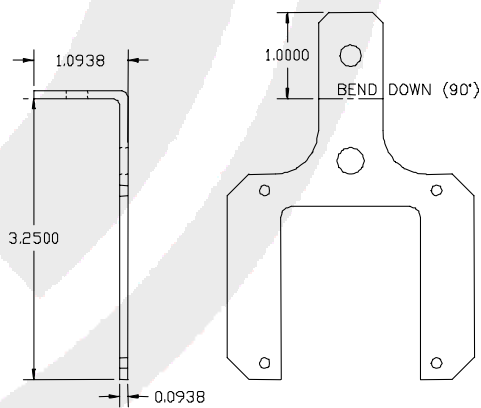
Product Description

The BRK12HM provides the EX12LED with the flexibility to mount with various CCD cameras. This adaptor comes in two types: BRK12HM for horizontal mount and BRK12VM for vertical mount. These "Twin Fork" adaptors fit firmly with the EX12LED unit to guide the illumination parallel to the camera.

Technical Drawings



BRK12VM

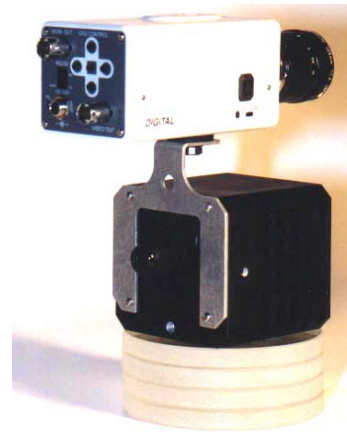


BRK12HM

Specifications

Construction	Aluminum
Finish	Anodized Black
Dimension	107.95 mm x 73.02 mm x 2.030 mm 4.25" x 2.875" x .080"
Weight	16.2 g

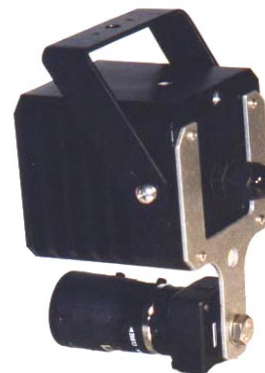
Product Image



BRK12HM is a horizontal mount adaptor that allows for fitting of bottom-mount CUBE/BOX cameras and conventional box cameras.

Example Specification as seen on picture above:

Camera: [FSX800 LXR](#)
 Lens: [TG8Z0516AFCS \(Computar\)](#)
 Bracket: **BRK12HM**
 Infrared: [EX12LED](#)
 IR Power Supply: [EXPS.001](#)



BRK12VM is a vertical mount adaptor that allows for fitting of rear-mount CUBE/BOX cameras and Compact-Board cameras.

Dealer / Distributor



Corporate Headquarters
Extreme CCTV Inc
 TF: 1 888 409 2288
 T: +1 604 420 7711
 F: +1 604 420 3300
 E: Sales@ExtremeCCTV.com
 www.ExtremeCCTV.com



European Operation
Derwent Systems Ltd
 A Division of Extreme CCTV (UK) Ltd
 T: +44 (0) 1670 730 187
 F: +44 (0) 1670 730 188
 E: SalesUK@DerwentCCTV.com
 www.DerwentCCTV.com